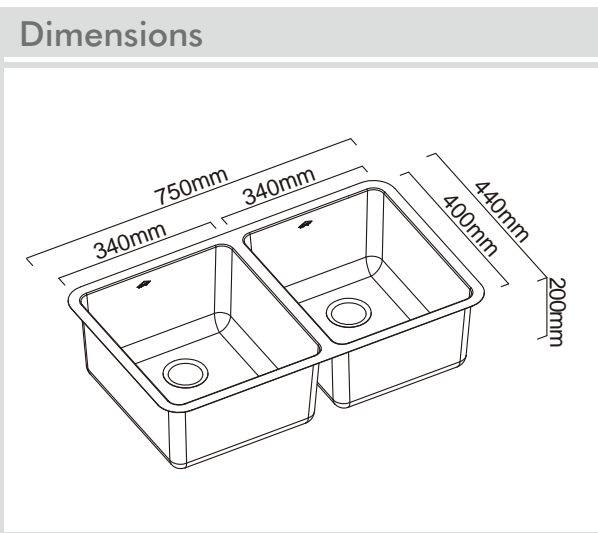




Model Code: BLD200

Included Accessories		
6020	UMD	

Optional Accessories		
DR007	DTA-16	CBB245
ICC12	UMG	



Specifications

Description	Double bowls, Inset / Undermount Sink
Overall Sink Size	750mm x 440mm x 200mm deep
Bowl Dimensions	340mm x 400mm x 200mm deep 340mm x 400mm x 200mm deep
Drainer Length	N/A
Technic	Pressed
Material	Stainless steel SUS304

Installation

Fixings	Undermount clips supplied
Template	N/A
Min Cabinet Size	900mm
Waste Holes	2 x 90mm square Compatible with waste disposal
Sealing Strip	N/A

SURFACE FINISH Satin Brush	WASTE KIT 90 50	MATERIAL SUS 304 Stainless Steel
--------------------------------------------	----------------------------------	------------------------------------------------------

Plumbing

Waste Fittings	2 x (90mm x 2") basket wastes included
Overflow	Available, conditions apply

INSTALLATION OPTIONS Undermount Inset Flush-mount	PROFILE R15 Corner
-----------------------------------------------------------------------	-------------------------------------

Packaging

Carton Type	EPS protection & Carton
Gross Weight	26.5Kg
Carton Size	823mm x 286mm x 513mm
Pack QTY	5

Abey are Australia's leaders in sinkware, designing and manufacturing to the world's highest quality specifications as well as sourcing and bringing you Europe's very best, leading edge designs – practical, affordable, inspirational, stylish, timeless or cutting edge. When you buy an Abey stainless steel sink you receive the highest quality and 25 year warranty. Abey and the manufacturer are continually seeking ways to improve the design specifications, aesthetic and production techniques of the products. As a result, alterations to the specifications and dimensions of the products and designs occur continually.