

60cm SenseCook multifunction 17 matte black oven with Command Wheel control, PYROLUXE™ self cleaning function, pyro proof telescopic runners, assisted cooking and food temperature sensor.



Product Details

FEATURES

Command Wheel

Pyroluxe™ Self Cleaning

Food Sensor

Assisted Cooking
Assisted Cooking settings mean you can let your oven know whats cooking so it can handle the rest.

OptiFlex™ telescopic runners

SoftMotion™ hinges

FloodLight™ system

BENEFITS

COMMAND YOUR COOKING

With the ovens simple, intuitive Command Wheel, you have complete control over the cooking process to serve up perfection on a plate with every oven-cooked meal. Whether adjusting the time, temperature or function of your oven, youre in charge. With just a touch, your current cooking settings appear immediately on the EXCITE+ TFT Display for at-a-glance monitoring of your meal, making adjustments exact and precise.

SHORTCUT TO PERFECTION. WITH ASSISTED COOKING Assisted Cooking is your at-home sous chef. Scroll through menus to select a food category, and the oven will generate the correct settings for the dish. You can even choose how you would like meats sealed. And for added safety, the oven automatically powers down after cooking.

MAKING IT EASIER TO COOK AND CLEAN

The 3 pyro proof OptiFlex telescopic runner sets in your oven allow you to access and handle the dishes easily. Because they are pyro proof, you can leave them inside while cleaning your oven with the pyrolytic program.

PYROLUXE™ SELF CLEANING

AEGs Pyroluxe self-cleaning function takes the hard work out of keeping your oven clean. The pyrolytic oven is heated to a very high temperature that will reduce grease and grime and burn off baked-on food residue reducing it to ash. All you need to do is wipe oven out with a damp cloth.

RARE. MEDIUM. WELL DONE. AT YOUR COMMAND WITH
SENSECOOK.

Your personal sous chef. Use the Food Sensor to tell the oven how you want your dish cooked using just the words you would in a restaurant rare, medium, or well done. Without even opening the oven door, everything from tender joints of meat to molten chocolate fondants are controlled and mastered. At last, an oven that speaks your language.

Specifications

PRODUCT PROFILE

Domestic warranty details (yrs)	5
Type of Oven	single pyrolytic oven
Oven fuel	electric
Materials/Colour	matte black
Controls of Oven	command wheel
Cooling fan	Yes

FLUSH FIT CUT OUT

Flush fit cut out height (mm)	600
Flush fit cut out width (mm)	600
Flush fit cut out depth (mm)	580

DIMENSIONS

PRODUCT DIMENSION

Total height (mm)	594
Total width (mm)	595
Total depth (mm)	567

MAIN OVEN

Gross capacity litres	77
Useable capacity litres	71
Oven function	multifunction
Number of functions	17

MAIN OVEN

Oven Functions	pizza,keep warm,defrost,grill,true fan cooking,turbo grilling,bread baking,browning/ au gratin,dough proving,drying,frozen foods,plate warming,preserving,slow cooking,conventional cooking,bottom heat,moist fan baking
Oven liner	enamel
Timer functions	duration,Auto off ,Cook time,End time,Time of day,24 hour clock
Light wattage	65

ELECTRICAL CONNECTION

Connected load KW	3.5
Maximum current rating (amps)	16
Type of connection	hardwired

OTHER FEATURES

Number of Programmed functions	160
Auto cook programs	Yes
Auto cook from frozen programs	No
Auto weight defrosting programs	Yes
Cleaning	pyrolytic
Pyrolytic functions	3

OTHER FEATURES

Type of Pyrolytic functions	quick (1hr),normal (1.5hr),intense (2.5 hr)
-----------------------------	---

Door	IsoFront cool door,removable door,drop down,Soft close
------	--

Timer	Programmable timer
-------	--------------------

Lights	2
--------	---

Light wattage	65
---------------	----

Light position	side and top
----------------	--------------

Telescopic runners	three
--------------------	-------

Shelf support	multi position side racks
---------------	---------------------------

Number of shelves	2
-------------------	---

Safety features	isofront plus quadruple glazed door
-----------------	-------------------------------------

Closed door grilling	Yes
----------------------	-----

Included accessories	wire shelves stainless steel x 2,dripping pan,cake tray,3 x telescopic runners, pyro proof
----------------------	--

Layers of glass in door	4
-------------------------	---

Number of shelf positions	5
---------------------------	---

OTHER FEATURES

Food probe	Yes
------------	-----

SHIPPING

Shipping Volume (m3)	0.285
----------------------	-------

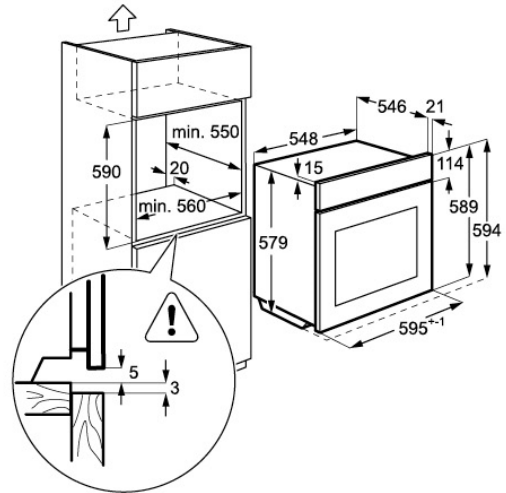
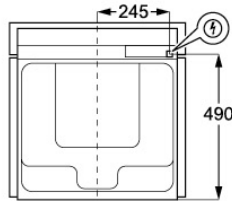
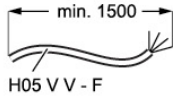
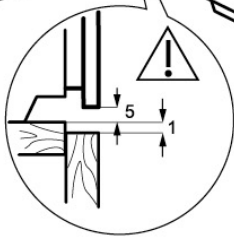
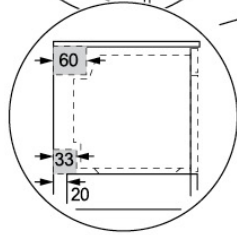
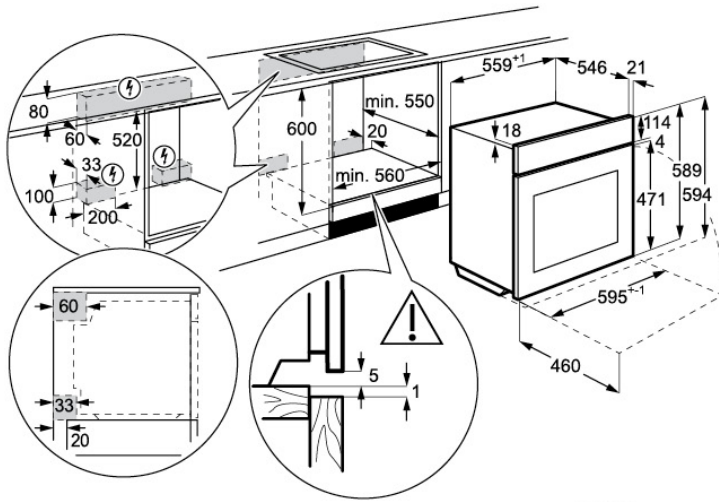
Shipping Weight (Kg)	40
----------------------	----

Pack Dimensions Height (mm)	670
-----------------------------	-----

Pack Dimension Width (mm)	635
---------------------------	-----

Pack Dimension Depth (mm)	670
---------------------------	-----

Dimensions



IMPORTANT

These dimensions are a guide only. All measurements are in millimetres (mm).
For complete installation instructions, refer to the manual provided with product.

Terms and Conditions

IMPORTANT

This is a guide of product dimensions only. For complete installation instructions, refer to the manual provided with product.

PRODUCT INFORMATION

The descriptors and illustrations in this publication apply to the specific products and models described as at the date of issue. Under our policy of continuous product development, product specifications may change without notice. Prospective purchasers should therefore check with their retailer to ensure this publication correctly describes the products that are being offered for sale. All information supplied is to be used for general reference purposes only and is on the understanding that Electrolux Home Products Pty Ltd (Australia) and Electrolux (NZ) Ltd (New Zealand) will not be liable for any loss, liability or damage of whatever kind arising as a result of reliance on such information. Colours of products illustrated are as close as printing limitations allow. Electrolux will at all times comply with its obligations pursuant to law including Trade Practices (Australian Consumer Law) Act and Regulations.

WARRANTY

Electrolux Home Products warrants that for domestic applications the AEG appliances featured are free from defects in materials and workmanship for 5 years (3 months warranty for commercial applications). All warranties are subject to the conditions set out in the warranty card accompanying the product when purchased.

ELECTROLUX HOME PRODUCTS AUSTRALIA

telephone: 1300 363 664

fax: 1800 350 067

email: customercare@aegaustralia.com.au

web: www.aeg.com/au

ELECTROLUX HOME PRODUCTS NEW ZEALAND

telephone: 0800 10 66 10

fax: 09 573 2221

email: customercare@electrolux.co.nz

web: www.aeg.com/au