

80cm integrated dark stainless rangehood with 750m³/hr extraction rate, 3 fan speed and dishwasher safe filters. ONLY AVAILABLE COMMERCIALY



Product Details

FEATURES

3 fan speeds

750m³/hr extraction power

LED lighting

5 layer filter

Dark stainless steel finish
Anti-fingerprint dark stainless steel prevents dirty marks from sticking to the surface.

Dishwasher-safe filters

BENEFITS

CHAR. SEAR. ENJOY.

Three fan-speeds allow you to set the airflow according to how and what you are cooking. Set the fan at low when simmering, or increase to high when boiling or frying.

POWERFUL EXTRACTION

Whether you are searing steaks or wilting spinach, its important to maintain clean and fresh air in your kitchen while cooking. With a 750m³/hr extraction rate, this hood quickly removes vapours so you can enjoy cooking without distraction.

PERFECTLY ILLUMINATED SURFACES

Bright LED lighting clearly illuminates your hob and is also more energy efficient and environmentally friendly than traditional halogen lighting.

SO EASY TO CLEAN

For an extractor to work efficiently the filters need to be clean and free from the cooking grease that builds up over time. All AEG filters are dishwasher-safe, making cleaning as simple as possible, whilst also being better for the environment than single use filters.

Specifications

PRODUCT PROFILE

Domestic warranty details (yrs)	5
Type of Rangehood	integrated under cupboard
Nominal width (cm)	800
Finish of Rangehood	Dark stainless steel

DIMENSIONS

Total product height (mm)	317
Total product width (mm)	792
Total product depth (mm)	277
Diameter of ducting (mm)	150

MOTOR/FAN

Number of fans	1
Number of fans speeds	3
Type of motor	tangential
Maximum airflow M3/Hr	750
Noise level dB high	68
Noise level dB low	52
Number of motors	1
Wattage of motor	240

CONTROLS

Control panel	electronic push button
Safety/ display indicators	auto thermal cutout safety switch

DIMENSIONS

Minimum installation height from cooking surface Gas (mm)	650
---	-----

Minimum installation height from cooking surface Electric (mm)	600
--	-----

Cut out width (mm)	762
--------------------	-----

Cut out depth (mm)	250
--------------------	-----

Cut out height (mm)	313
---------------------	-----

FILTERS

Number of filters	3
-------------------	---

Type of filter	multilayer aluminum micromesh filters
----------------	---------------------------------------

Dishwasher safe	Yes
-----------------	-----

DUCTING / RECIRCULATION

Ducting	optional accessory
---------	--------------------

Top or rear duct hole	top
-----------------------	-----

Recirculation option	Yes
----------------------	-----

LIGHTS

Number of lights	2
------------------	---

Wattage of light	3.5
------------------	-----

Type of light	LED
---------------	-----

SHIPPING

Shipping Volume (m3)	0.15
----------------------	------

Shipping Weight (Kg)	11.1
----------------------	------

DUCTING / RECIRCULATION

Recirculation kit	optional accessory
Front recirculating option	No
Type of filter	Charcoal
Filter	Optional
Number of optional filters required	two
Ducting diameter (mm)	150

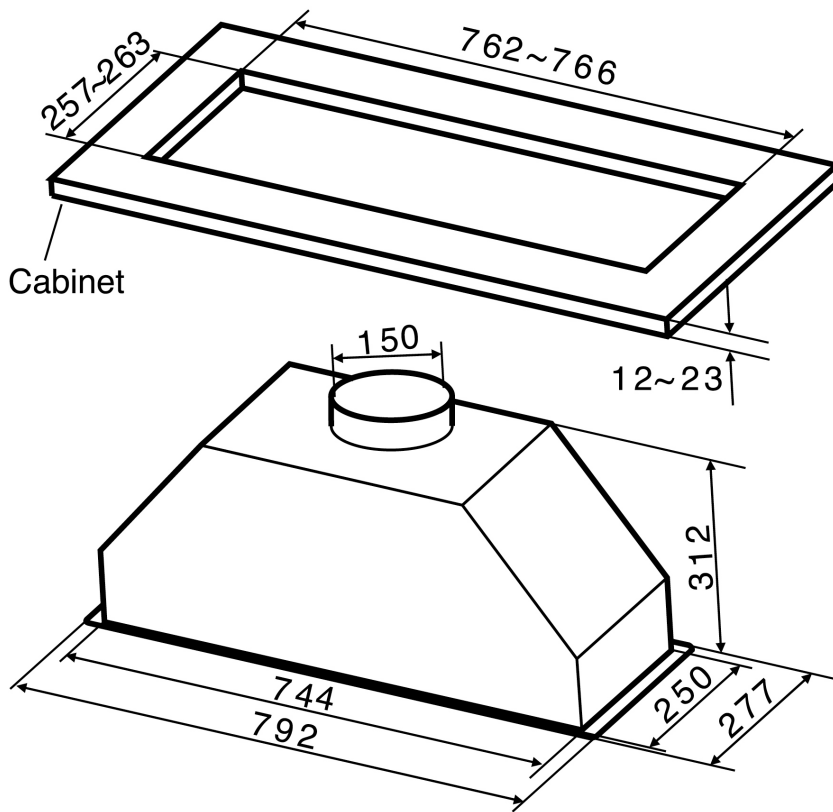
STUFFING QUANTITIES

20ft	156
40ft	331
40ft HC	397

SHIPPING

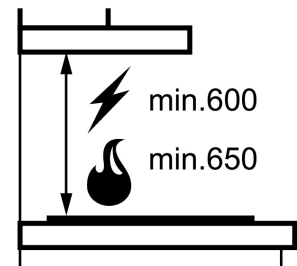
Pack Dimensions Height (mm)	403
Pack Dimension Width (mm)	855
Pack Dimension Depth (mm)	437

Dimensions



IMPORTANT

These dimensions are a guide only. All measurements are in millimetres (mm). For complete installation instructions, refer to the manual provided with product.



Terms and Conditions

IMPORTANT

This is a guide of product dimensions only. For complete installation instructions, refer to the manual provided with product.

PRODUCT INFORMATION

The descriptors and illustrations in this publication apply to the specific products and models described as at the date of issue. Under our policy of continuous product development, product specifications may change without notice. Prospective purchasers should therefore check with their retailer to ensure this publication correctly describes the products that are being offered for sale. All information supplied is to be used for general reference purposes only and is on the understanding that Electrolux Home Products Pty Ltd (Australia) and Electrolux (NZ) Ltd (New Zealand) will not be liable for any loss, liability or damage of whatever kind arising as a result of reliance on such information. Colours of products illustrated are as close as printing limitations allow. Electrolux will at all times comply with its obligations pursuant to law including Trade Practices (Australian Consumer Law) Act and Regulations.

WARRANTY

This warranty only applies to Appliances purchased and used in Australia or New Zealand and used in normal domestic applications and is in addition to (and does not exclude, restrict, or modify in any way) any non-excludable statutory warranties in Australia or New Zealand. All warranties are subject to the conditions set out in the warranty card accompanying the product when purchased.

ELECTROLUX HOME PRODUCTS AUSTRALIA

telephone: 1300 363 640

fax: 1800 350 067

email: customercare@electrolux.com.au

web: www.electrolux.com.au

ELECTROLUX HOME PRODUCTS NEW ZEALAND

telephone: 09 573 2230

fax: 09 573 2221

email: customercare@electrolux.co.nz

web: www.electrolux.co.nz