

90cm telescopic rangehood with push button controls and LED lighting.



## Product Details

### FEATURES

---

90cm wide telescopic rangehood

Dishwasher safe stainless steel micromesh filters

Slide switch controls

Telescopic rangehood

---

Intensive extraction setting

---

### BENEFITS

---

**Dishwasher safe stainless steel micromesh filters**  
The long life micromesh filters can be washed in the dishwasher.

**Stainless steel micromesh filters**  
The micromesh filters attract the grease from the cooking vapours, reducing odours, purifying the air and optimising performance. Filters are washable and never need replacing.

---

**Telescopic Rangehood**  
Once installed into a 60cm cupboard this rangehood extends to give a greater catchment and extraction area. When not in use the slide out filter can be retracted for a flush, slimline finish.

**Intensive setting**  
An intensive extraction setting clears cooking vapours quickly and efficiently leaving the kitchen air clean.

---

## Specifications

### PRODUCT PROFILE

Domestic warranty details (yrs)	5
Type of Rangehood	telescopic (slide out)
Nominal width (cm)	90
Finish of Rangehood	stainless steel

### DIMENSIONS

Total product height (mm)	40
Total product width (mm)	898
Total product depth (mm)	280

### MOTOR/FAN

Number of fans	1
Number of fans speeds	3
Variable speed control	Yes
Auto off	No
Type of motor	centrifugal
Maximum airflow M3/Hr	603
Noise level dB high	66
Noise level dB low	50
Number of motors	1

### CONTROLS

Control panel	slide switch control
Remote control	No

## DIMENSIONS

Diameter of ducting (mm)	150
Minimum installation height from cooking surface Gas (mm)	650
Minimum installation height from cooking surface Electric (mm)	430
Cut out width (mm)	552
Cut out depth (mm)	190
Cut out height (mm)	356

## FILTERS

Number of filters	4
Type of filter	aluminum micromesh
Dishwasher safe	Yes

## DUCTING / RECIRCULATION

Ducting	optional accessory
Top or rear duct hole	top

## LIGHTS

Number of lights	2
Wattage of light	4
Type of light	LED

## SHIPPING

Shipping Volume (m3)	0.139
Shipping Weight (Kg)	14.35

**DUCTING / RECIRCULATION**

---

Recirculation option	Yes
----------------------	-----

---

Type of filter	Carbon
----------------	--------

---

**SHIPPING**

---

Product Weight (Kg)	12.5
---------------------	------

---

Pack Dimensions Height (mm)	515
-----------------------------	-----

---

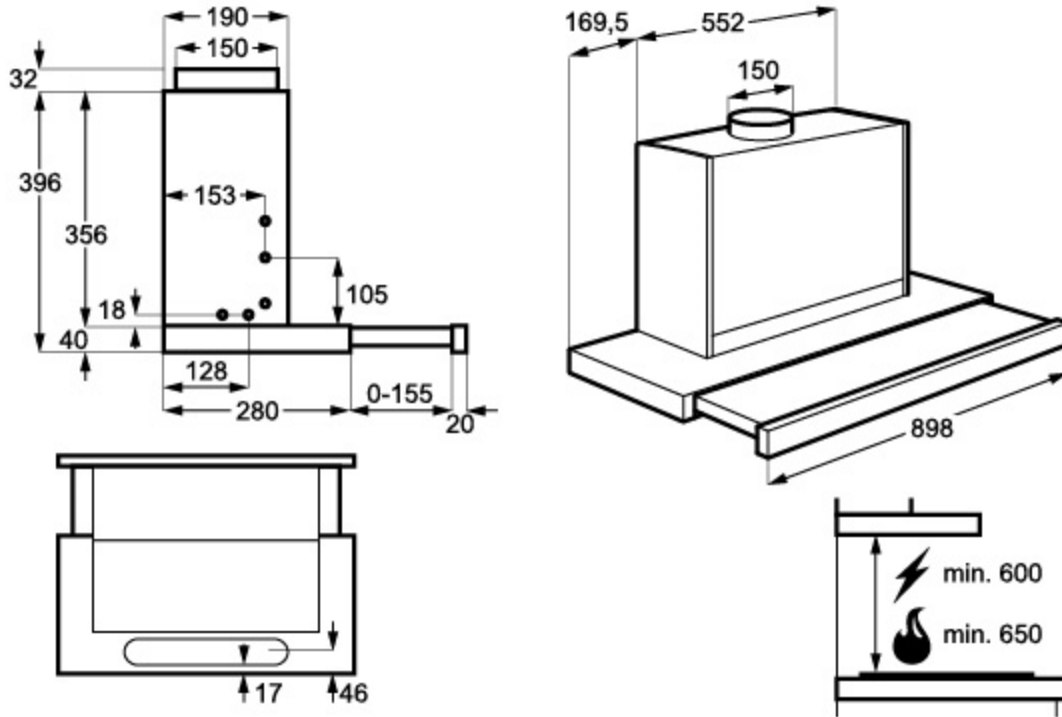
Pack Dimension Width (mm)	685
---------------------------	-----

---

Pack Dimension Depth (mm)	395
---------------------------	-----

---

## Dimensions



### IMPORTANT

These dimensions are a guide only. All measurements are in millimetres (mm).  
For complete installation instructions, refer to the manual provided with product.

## Terms and Conditions

### IMPORTANT

This is a guide of product dimensions only. For complete installation instructions, refer to the manual provided with product.

### PRODUCT INFORMATION

The descriptors and illustrations in this publication apply to the specific products and models described as at the date of issue. Under our policy of continuous product development, product specifications may change without notice. Prospective purchasers should therefore check with their retailer to ensure this publication correctly describes the products that are being offered for sale. All information supplied is to be used for general reference purposes only and is on the understanding that Electrolux Home Products Pty Ltd (Australia) and Electrolux (NZ) Ltd (New Zealand) will not be liable for any loss, liability or damage of whatever kind arising as a result of reliance on such information. Colours of products illustrated are as close as printing limitations allow. Electrolux will at all times comply with its obligations pursuant to law including Trade Practices (Australian Consumer Law) Act and Regulations.

### WARRANTY

Electrolux Home Products warrants that for domestic applications the AEG appliances featured are free from defects in materials and workmanship for 5 years (3 months warranty for commercial applications). All warranties are subject to the conditions set out in the warranty card accompanying the product when purchased.

#### ELECTROLUX HOME PRODUCTS AUSTRALIA

telephone: 1300 363 664

fax: 1800 350 067

email: [customercare@aegaustralia.com.au](mailto:customercare@aegaustralia.com.au)

web: [www.aeg.com/au](http://www.aeg.com/au)

#### ELECTROLUX HOME PRODUCTS NEW ZEALAND

telephone: 0800 10 66 10

fax: 09 573 2221

email: [customercare@electrolux.co.nz](mailto:customercare@electrolux.co.nz)

web: [www.aeg.com/au](http://www.aeg.com/au)