



Vista HygienicFlush Wall Faced Toilet

S&P Trap

Product Image



Product Details

SKU:

Brand:
Range:
Warranty:
Product Width:
Product Depth:
WELS:
Reg #:L06513

H175AR01S4B

Argent
Vista
10 Years
N/A
N/A
4 Star 4.5/3.0L 3.5L avg flush,

Additional Features

Required Product
IN38905,IN38785

Recommended Products

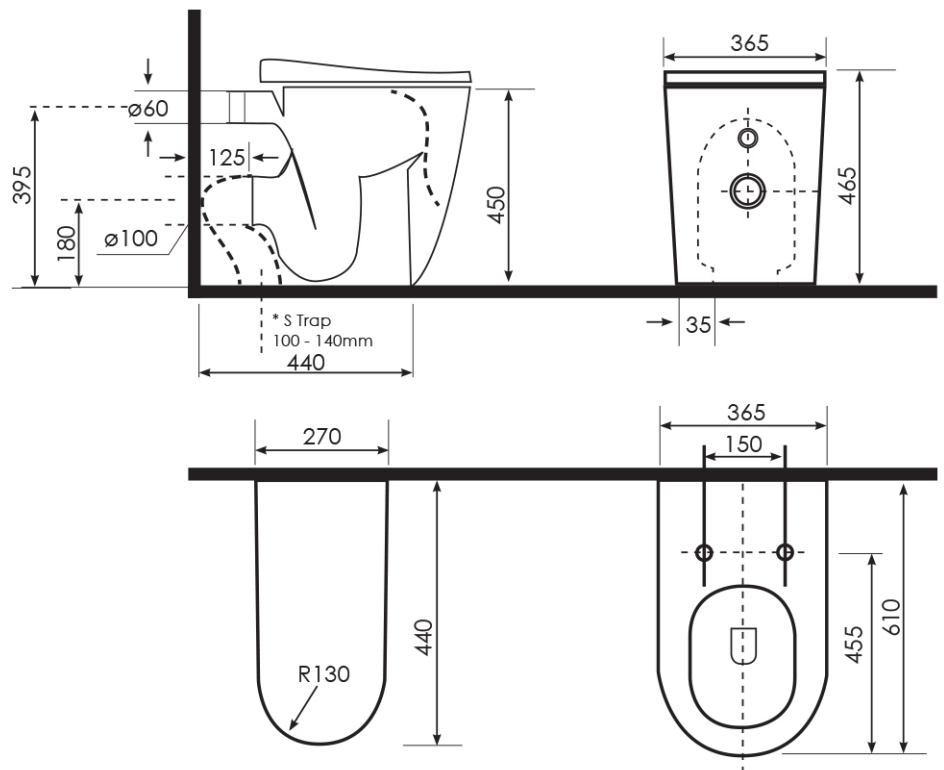
Additional Notes

- * Ambulant Compliant
- * HygienicFlush
- * S&P Trap

Installation Instructions

* Can be used in ambulant-assisted living installations with the increased seat height and length

Technical Specification



Note: All dimensions are in millimetres and are subject to normal manufacturing variations. Always use the physical product measurements for cut-outs and rough-ins as the technical details shown may differ from the actual product. Use acetic cured silicone sealant. Do not use epoxy type adhesives. Clean with damp cloth. Do not use abrasive cleaners, liquids or pastes.

