



Azure Neu 510 Drop In Basin

1 Tap Hole | Overflow

Product Image

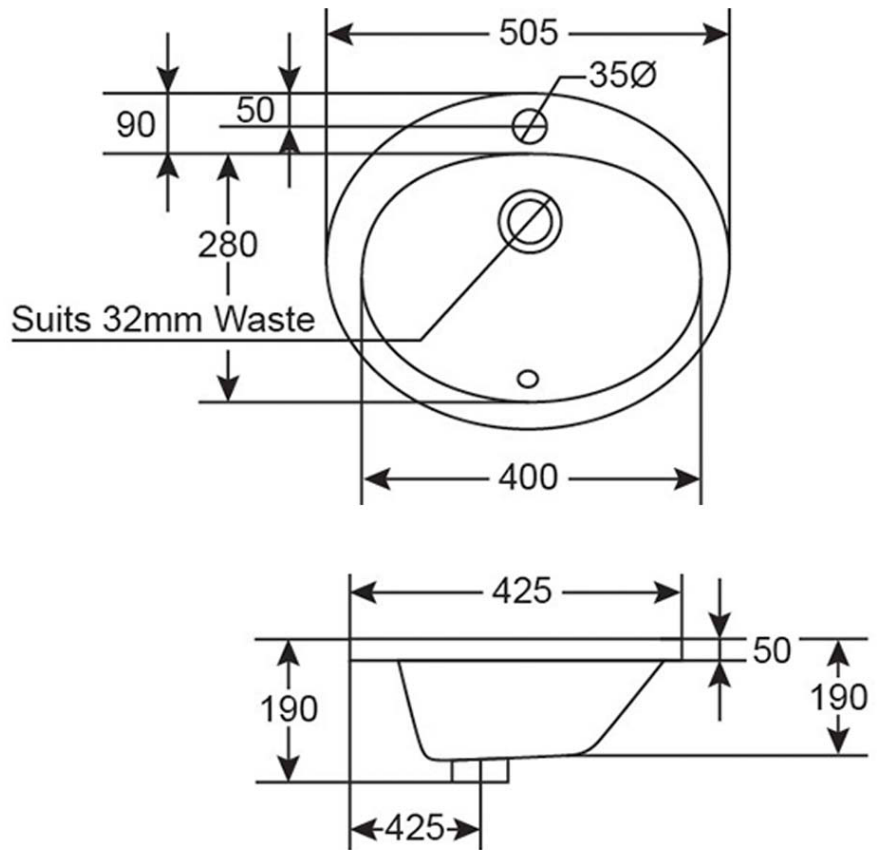


Product Details

Code:	D6051
Brand:	Argent
Range:	Azure
Warranty:	10 Years*
Product Width:	210 mm
Product Depth:	190 mm
WELS:	N/A

Additional Features

Technical Specification



*Please visit argentaust.com.au/warranty to view the full warranty

Note: All dimensions are in millimetres and are subject to normal manufacturing variations. Always use the physical product measurements for cut-outs and rough-ins as the technical details shown may differ from the actual product. Use acetic cured silicone sealant. Do not use epoxy type adhesives. Clean with damp cloth. Do not use abrasive cleaners, liquids or pastes.

