



# Essential 150 Wall Mounted Shower Arm

**Product Image**

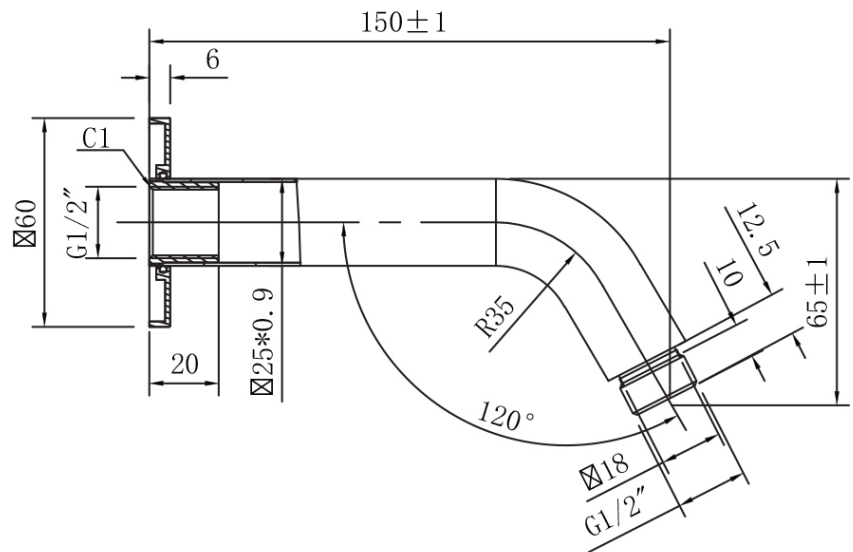
**Product Details**



**Code:** 920150  
**Brand:** Argent  
**Range:** Essential  
**Warranty:** 15 Years\*  
**WELS:** N/A

**Additional Features**

**Technical Specification**



\*Please visit [argentaust.com.au/warranty](http://argentaust.com.au/warranty) to view the full warranty

Note: All dimensions are in millimetres and are subject to normal manufacturing variations. Always use the physical product measurements for cut-outs and rough-ins as the technical details shown may differ from the actual product. Use acetic cured silicone sealant. Do not use epoxy type adhesives. Clean with damp cloth. Do not use abrasive cleaners, liquids or pastes.

