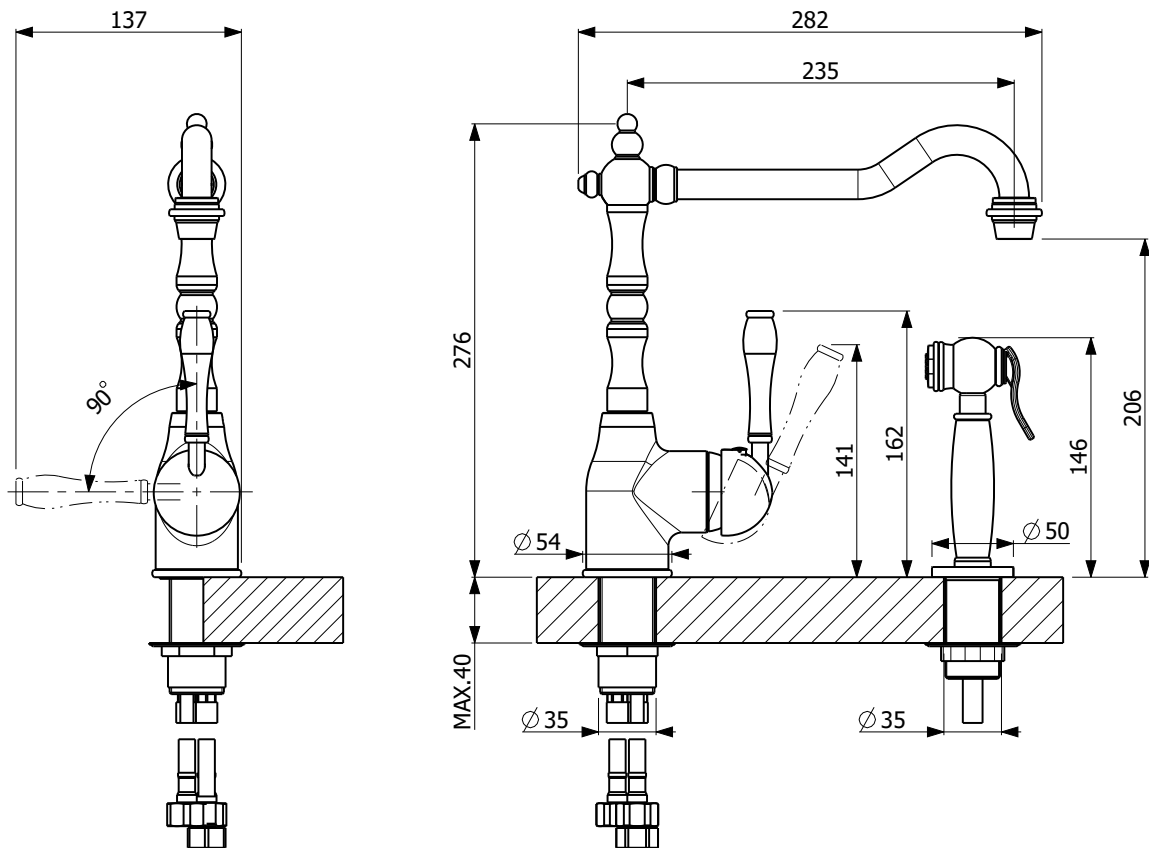


400073

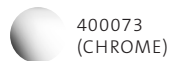
PROVINCIAL KITCHEN MIXER WITH SIDE SPRAY

WELS Rating 5 Star 5.0L/min

WELS Registration #T32658 (Chrome) #T32658(v) (Finishes)



AVAILABLE IN



400073
(CHROME)



400073-BN
(BRUSHED NICKEL)



400073-BR
(BRONZE)