

Caroma®

CI/SfB	(74.2)	g3
Date	November 2016	

Supersedes all previous issues

Track

Vitreous China Inset Vanity Basin

Nominal Size: 515mm x 378mm

2.42.1





Tapware shown is not included.

The **Track** inset vanity basin offers a soft curved oval style with clean lines. This product adds timeless sophistication in any bathroom. The basin is suitable for general purpose domestic and commercial applications.

Tap Holes: Basin available in: One taphole Code No.633515.

Waste Outlet: The basin has been designed for the Caroma waste outlet suitable for a 40mm trap connection. Chrome flush fitting waste and white plug supplied. Alternative waste options are available — Plug & anti-vandal flush fitting chrome waste Code No.687141C; Plug & chrome grate waste Code No.687328C; Chrome pop-up plug and waste Code No.687329C.

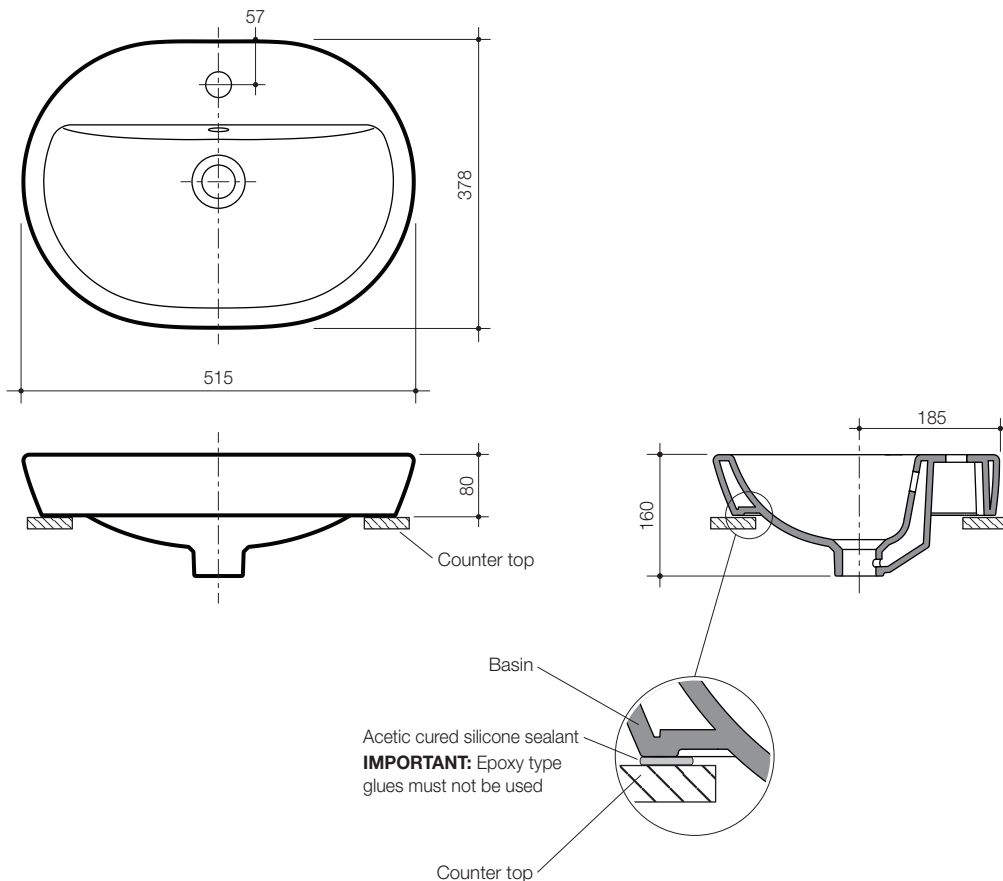
Bowl Capacity: 3 litres to overflow.

Overflow: Overflow available only. Designed for maximum tap flow rate of 15 litres/minute.

Fixing: The underside of the basin rim must be sealed to the counter top with an acetic cured silicone sealant. **Epoxy type glues must not be used.** The basin is supplied with a template which must be used for the counter top cut-out.

Colours: White only.

Dimensions: All dimensions are in millimetres and are subject to normal manufacturing variations. Caroma pursues a policy of continuing improvement in design and performance of its products. The right is therefore reserved to vary specifications without notice.



caroma®

CI/SfB	(74.2)	g3
Date	November 2011	

Supersedes all previous issues

Track

Vitreous China Inset Vanity Basin

Nominal Size: 515mm x 378mm

2.13.4



Vitreous China Inset Vanity Basin

Basin Size: 515mm x 378mm (nominal)



The **Track** inset vanity basin offers a soft curved oval style with clean lines. This product adds timeless sophistication in any bathroom. The basin is suitable for general purpose domestic and commercial applications.

Tap Holes: Basin available in: one tap hole Code No.633515; three tap hole option Code No.633535.

Waste Outlet: Chrome flush fitting waste and white plug supplied, suitable for a 40mm trap connection. Alternative waste options are available — Chrome pop-up plug and waste Code No.687329C, Chrome grate waste and white plug Code No.687328C, Vandal Resistant Flush Fitting Plug and Chrome Waste Code No.687141, Covered Plug and Waste Code No.687142 and Vandal Resistant Covered Chrome Plug and Waste Code No.687143.

Bowl Capacity: 3 litres to overflow.

Overflow: Overflow available only. Designed for maximum tap flow rate of 15 litres/minute.

Fixing: The underside of the basin rim must be sealed to the counter top with an acetic cured silicone sealant. **Epoxy type glues must not be used.** The basin is supplied with a template which must be used for the counter top cut-out.

Colours: White only.

Dimensions: All dimensions are in millimetres and are subject to normal manufacturing variations. Caroma pursues a policy of continuing improvement in design and performance of its products. The right is therefore reserved to vary specifications without notice.

