

Caroma®

Seats

CI/SfB	(74.1)	g3
Date	September 2016	

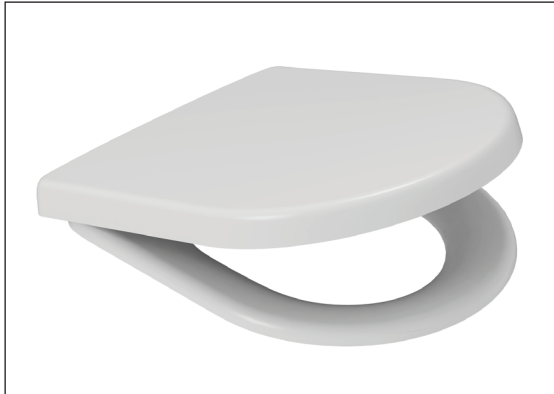
Supersedes all previous issues

5.01



PAN	SEAT																		LEGEND:								
	Arc Standard	Arc Soft Close	Avalon Commercial+	Avalon Commercial	Avalon Soft Close+	Caravelle Commercial	Caravelle+	Caravelle SC	Colani	Contura	Cube Soft Close	Deluxe	Junior	Liano	Metro	Opal II Soft Close	Pedigree II	Pressalit	Profile	Stirling	Standard	Trident	Trident Soft Close	Uniseat	Urbane Compact	Vintage	
Cameo																											
Caravelle			•	•	•	•	•	•				•						•	•	•			•	•	•		
Concorde			•	•	•	•	•	•				✓						•	•	•			✓	✓	•		
Contura			•	•					✓																		
Cube										✓																	
Flex																		✓									
Junior												✓															
Leda												•					✓	•	•	•			•	•	•		
Liano														✓													
Metro															✓												
Opal																					✓						
Opal II																✓											
Profile																					✓				•		
Retro																					✓			✓			
Trident																						✓		✓	•		
Urbane														•													
Urbane Compact																										✓	
Vintage																											✓

+	Toggle/Bolt Pack for blind fixing	405144
*	Adaptor Kit to suit Leda type pans	301050
✓	Ideal	
•	Suitable	

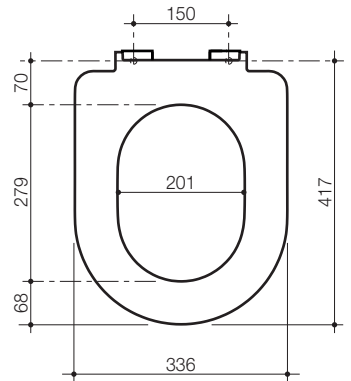


Arc

A modern design, double flap compression moulded seat. Fitted with buffers and metal hinges.

Seat with soft close hinge Code No.300042
Seat with standard hinge Code No.300046

Colours: White only.

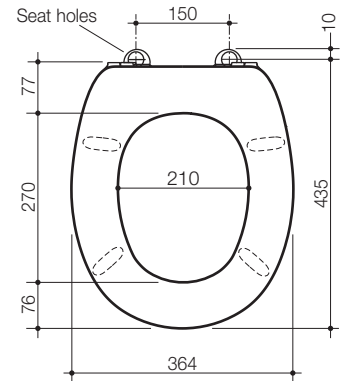


Avalon Commercial

A medium weight compression moulded seat in double flap style. Buffers on seat and flap with fully adjustable stainless steel hinges.

Code No.320027

Colours: White only.

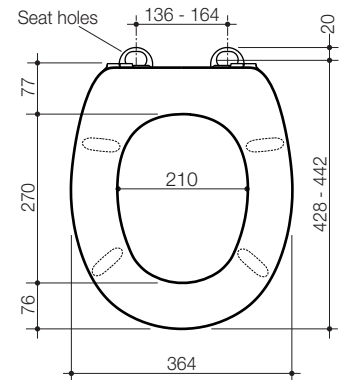


Avalon Soft Close

A medium weight compression moulded seat in double flap style. Buffers on seat and flap with fully adjustable stainless steel hinges.

Code No.320029

Colours: White only.



Caravelle

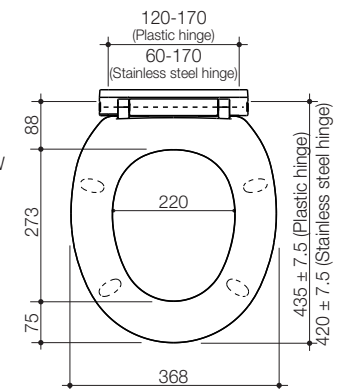
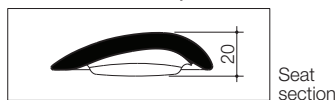
A medium weight seat of contemporary design. Thermoplastic thick section moulding with unique snap-on detachable seat for ease of cleaning and the ultimate in hygiene. Fully adjustable pan fittings.

Seat with soft close plastic hinge Code No.254003W

Seat with standard plastic hinge Code No.254002W / 254002I

Seat with soft close stainless steel hinge Code No.254001W

Colours: White or Ivory.





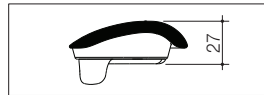
Caravelle Care

♿ **Accessible Applications**

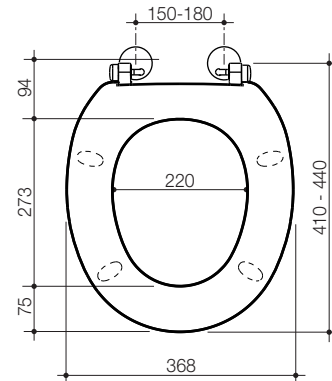
A specialised seat available in single or double flap versions designed for persons with ambulant disabilities. Featuring solid stainless steel hinges, rotatable buffers for extra stability during sideways transfers. Blind fixing standard.

Single flap version Code No.254007
Double flap version Code No.254008

Colours: White, Anthracite Grey or Sorrento Blue.



Seat section

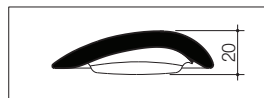


Caravelle Commercial

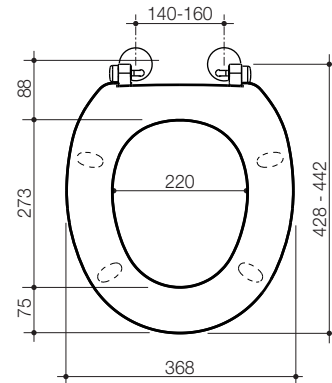
A medium weight seat with robust metal hinges and fully adjustable blind fixing. Available as standard close with stainless steel hinges.

Double flap version Code No.254006W
Single flap version Code No.254017B

Colours: White or Black.



Seat section



Colani

♿ **Accessible Applications**

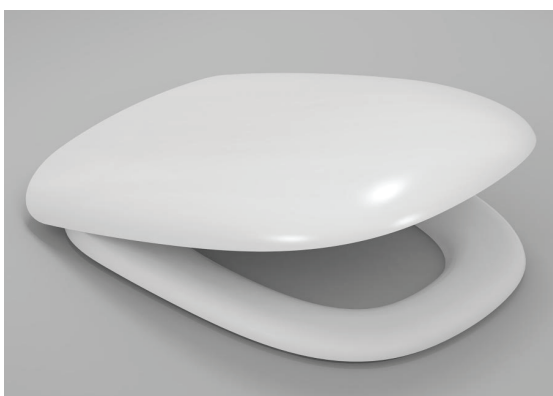
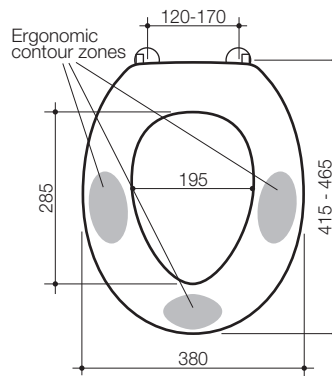
A specialised single flap seat designed for persons with ambulant disabilities. Features die cast metal hinges and heavy duty solid axle hinge, plus rotatable buffers for extra stability during sideways transport. Blind fixing standard.

Single flap version Code No.813010.
Double flap version Code No.813100.

Colours: White, Anthracite Grey or Sorrento Blue



Seat section

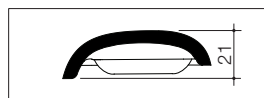


Contura

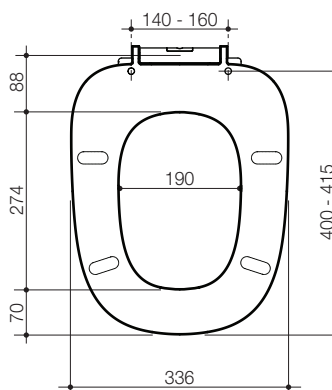
A quality solid section compression moulded toilet seat, fitted with buffers and metal hinges. Suitable for the Contura pan only.

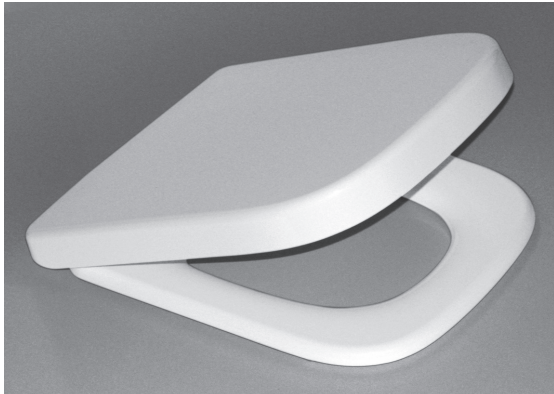
Code No.300045

Colours: White only.



Seat section





Cube

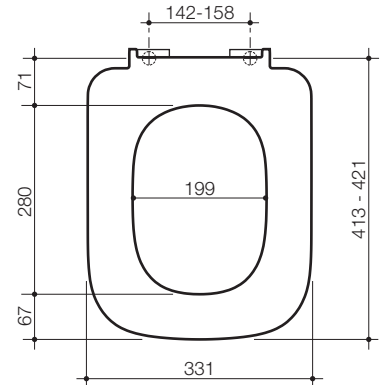
A quality solid-section compression moulded soft close seat. Fitted with buffers and metal hinges. Suitable for the Cube pan only.

Code No.300024

Colours: White only.



Seat section



Deluxe

A modern light weight double flap seat, thermo plastic moulded with fully adjustable pan fittings.

Code No.301101

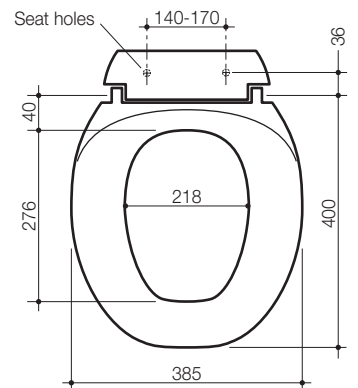
Adaptor kit to suite Leda type pans

Code No.301050.

Colours: White or Ivory.



Seat section



Junior

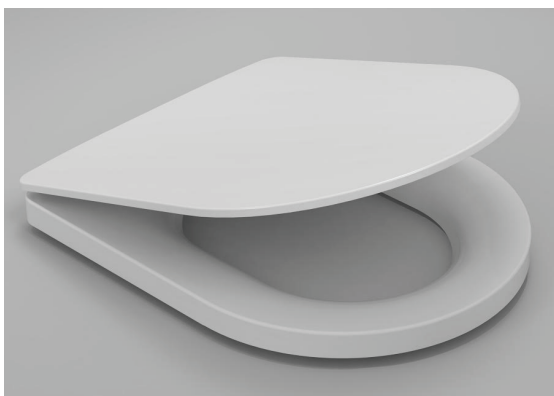
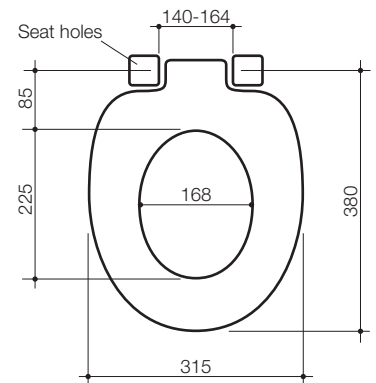
A single flap solid section injection moulded seat to suit the Junior pan only.

Code No.301030

Colours: White or Black.



Seat section

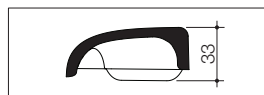


Liano

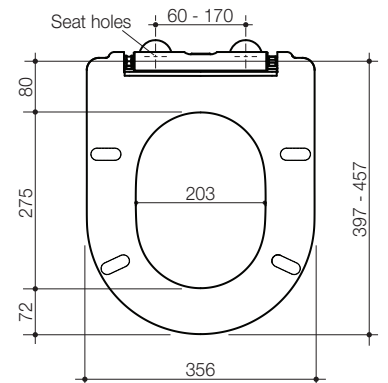
A double flap soft close seat with contemporary style and sharp symmetrical lines. Quick release hinges for easy removal and thorough clean. Made from quality solid-section compression moulded Urea Formaldehyde (a hard and dense material).

Code No.300040

Colours: White only.



Seat section





Metro - Wall Faced Pans

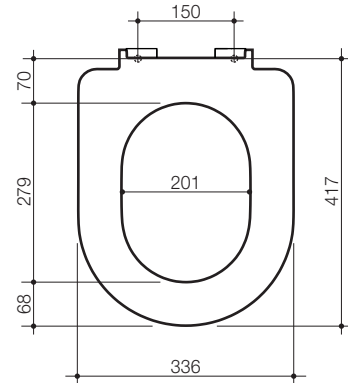
A quality solid-section compression moulded Urea Formaldehyde seat (which is a hard and dense material).

Seat with soft close hinge Code No.300028
Seat with standard hinge Code No.300029
Single flap version Code No.300041

Colours: White only.



Seat section



Metro - Wall Hung Pans

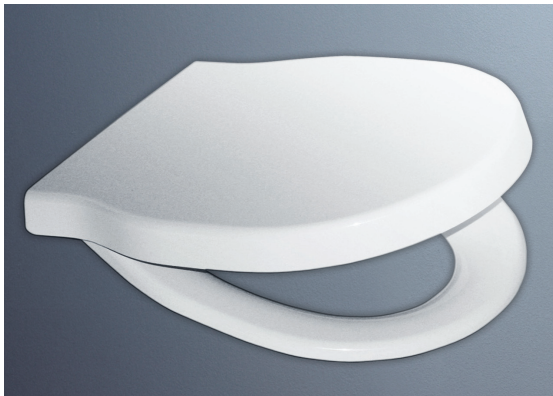
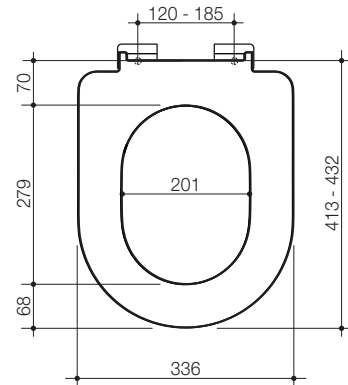
A quality solid-section compression moulded Urea Formaldehyde seat (which is a hard and dense material).

Seat with soft close hinge Code No.813007
Single flap version Code No.300041

Colours: White only.



Seat section



Opal II

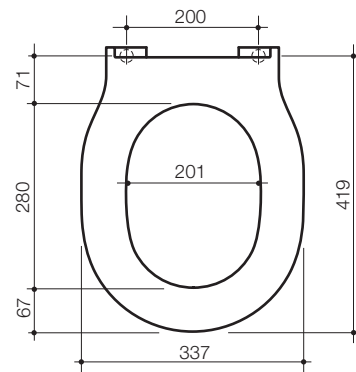
A quality solid-section compression moulded soft close seat. Fitted with buffers and metal hinges. Suits Opal II pan only.

Double flap with soft close hinge Code No.300030
Single flap with soft close hinge Code No.300038

Colours: White only.



Seat section

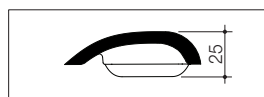


Pedigree II

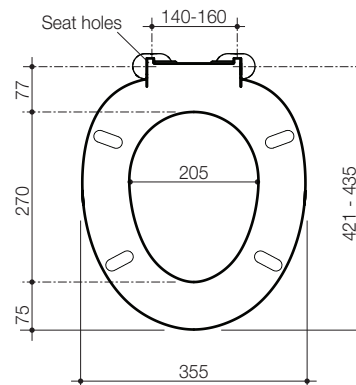
A premium, heavy weight compression moulded seat in double flap style with flat underside. Buffers on seat and flap reduce noise on impact. Standard hinge with matte chrome fully adjustable fittings. Blind fixing standard.

Seat with soft close hinge Code No.320040
Seat with standard hinge Code No.320020

Colours: White only.



Seat section



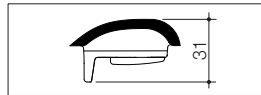


Pedigree II Care ♿ Accessible Applications

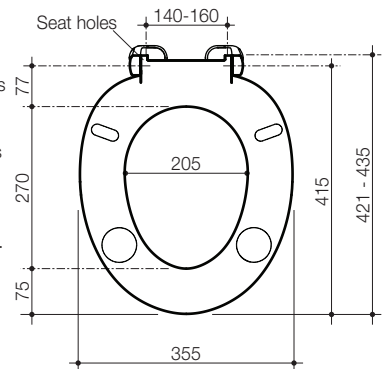
A specialised single flap seat designed for persons with ambulant disabilities. Features die cast metal hinges and heavy duty solid axle hinge, plus rotatable buffers for extra stability during sideways transport. Blind fixing standard.

Code No.320030.

Colours: White, Anthracite Grey or Sorrento Blue.



Seat section



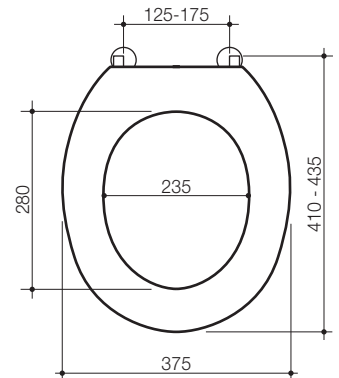
Pressalit 2000

A seat for general purpose applications with smooth contours for user comfort and ease of cleaning.

Seat with standard hinge Code No.816000

Seat with blind fixing hinge Code No.816100

Colours: White only.



Profile

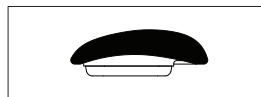
Suitable for the Cameo, Caravelle, Concorde, Leda, Opal, Trident and Vintage pans. Ideal for the Profile and Retro pans.

Seat with standard hinge Code No.300015

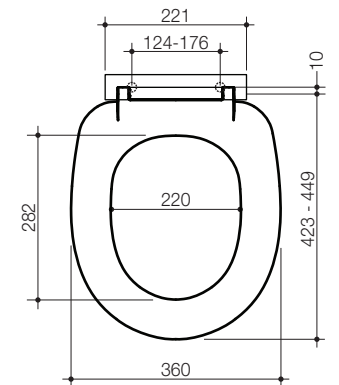
Seat with soft close plastic connector hinge Code No.300016

Seat with soft close chrome hinge Code No.300017

Colours: White only.



Seat section



Standard

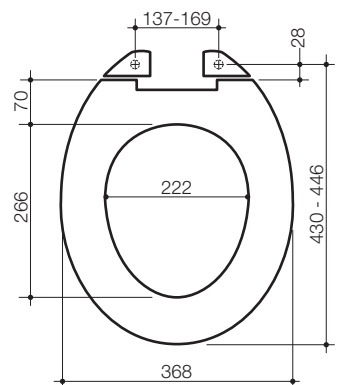
A light weight, thermoplastic moulded double flap economy seat with adjustable pan fittings.

Code No.301106

Colours: White or Black.



Seat section



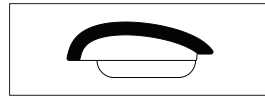


Stirling

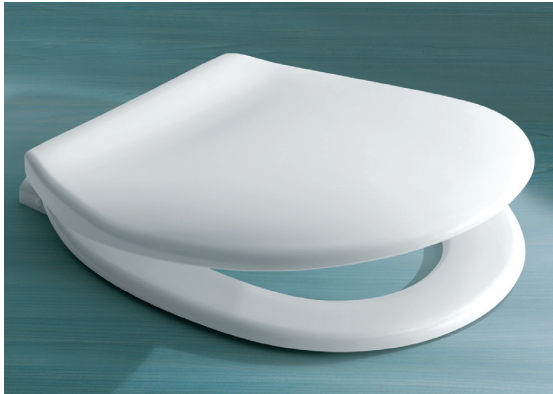
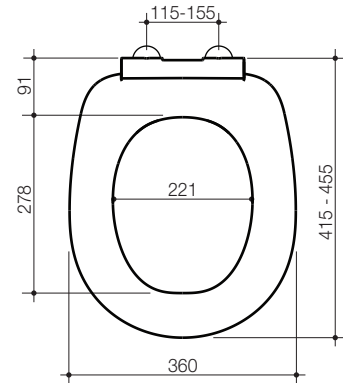
A modern seat with all the trimmings, complete with a soft close snap-on detachable hinge for ease of cleaning and the ultimate in hygiene.

Code No.350020

Colours: White only.



Seat section



Trident

A unique snap-on detachable medium weight seat designed for easy cleaning and the ultimate in hygiene. Fully adjustable pan fittings.

Seat with soft close quick release plastic hinge

Code No.254012W

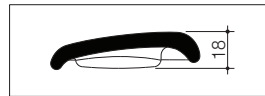
Seat with soft close quick release stainless steel hinge

Code No.254010W

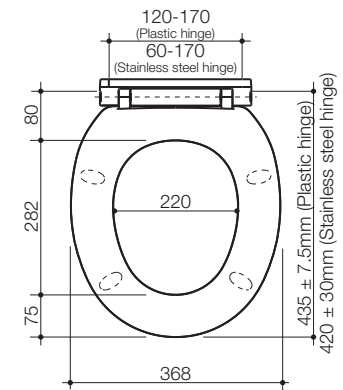
Seat with standard close quick release hinge

Code No.301104W / 301104I

Colours: White or Ivory.



Seat section



Uniseat

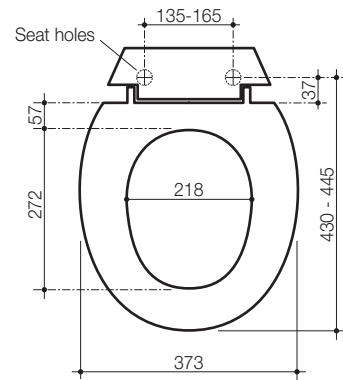
A modern, light weight double flap seat, thermo plastic and fully adjustable pan fittings.

Code No.301111

Colours: White or Ivory.



Seat section

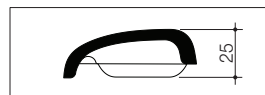


Urbane Compact

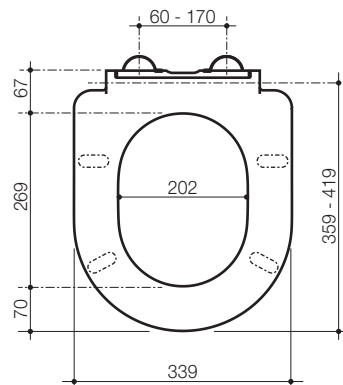
A double flap soft close seat with quick release hinges for easy removal and thorough clean. Made for the Urbane wall hung pan only.

Code No.300047

Colours: White only.



Seat section





Vintage

A premium, double flap solid wooden seat in Natural Jarrah with a clear polymer seal. Available with gold plated or chrome hinges. The recommended seat to be used with the Caroma Vintage toilet suite.

Seat with gold plated hinges Code No.301110
Seat with chrome plated hinges Code No.301115

Colours: Natural Jarrah with gold or chrome plated hinges.



Seat section

