

# Caroma®

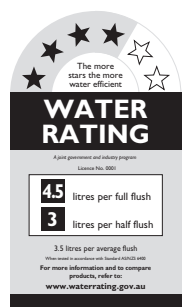
## Profile 4 Skew Trap

Vitreous China 4.5/3 litre Dual Flush  
Close Coupled Toilet Suite

|        |          |    |
|--------|----------|----|
| CI/SfB | (74.1)   | g3 |
| Date   | May 2015 |    |

Supersedes all previous issues

# 3.28.3





### Profile 4 Skew Trap



A vitreous china, close coupled skew trap compact toilet suite featuring minimal projection from wall dimension and low overall height. The **Profile 4 Skew Trap** close coupled suite is available in left or right hand skew trap options. The Profile 4 Skew Trap close-coupled vitreous china toilet suite delivers a 4.5/3 litre dual flush. The Profile cistern is an integrated system comprising of cistern with high performance outlet valve, fitted with low profile push buttons.

**Pan:** **Profile Skew Trap** 4.5 litre full flush washdown pan with open flushing rim.  
**Traps:** Left or right hand skew trap. Side delivery 95°.  
**Cisterns:** **Profile** cistern – has a free fitting lid and is suitable for domestic and light commercial applications.  
**Vandal Resistant Conversion Kit** – A simple to install conversion is available for the standard mechanism to lock lid onto the cistern, recommended for use in heavy duty commercial areas. Code No.750109.

**Inlet Valve and Overflow:** **Bottom Inlet Cistern** – the cistern incorporates the new Apollo inlet valve to reduce noise during filling. Internal overflow only.  
**Back Entry Cistern** – An optional back entry conversion kit is available to convert the cistern from right hand bottom inlet to concealed back entry. Code No.687257.

**Important: Working pressure minimum 30kPa to maximum 1000kPa flow pressure. Rain water tank compliant.**

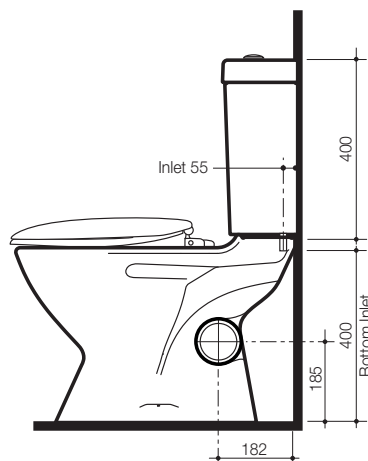
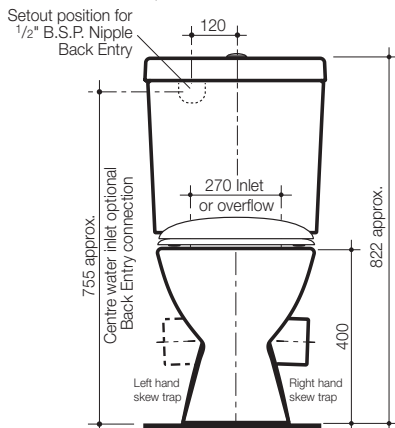
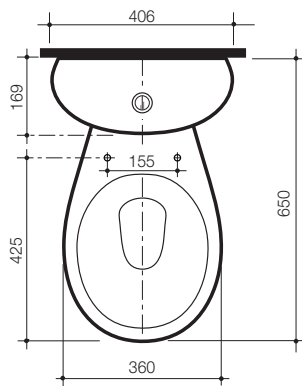
**Fixing:** The cistern is fixed directly to the pan with a robust base fixing system without the need for wall fixing.

**Seats:** The **Caravelle** standard toilet seat or **Profile** soft close plastic hinge toilet seat is provided as standard with the Profile 4 Skew Trap suite. See *chapter 5.01 SEATS of the Caroma Technical Manual* for further details.

**Colours:** White only.

**Installation:** The installation of the toilet suite shall be in accordance with the normal minimum drainline grade requirements in AS/NZS 3500.2.

**Dimensions:** All dimensions are in millimetres and are subject to normal manufacturing variations. Caroma pursues a policy of continuing improvement in design and performance of its products. The right is therefore reserved to vary specifications without notice.



#### Profile 4 Skew Trap Close Coupled Toilet Suites: Code No:

|   |          |
|---|----------|
| 4.5/3 litre Bottom Inlet – Internal Overflow      |          |
| Right Hand Skew Trap with Caravelle Standard Seat | 977775W  |
| Left Hand Skew Trap with Caravelle Standard Seat  | 977770W  |
| Right Hand Skew Trap with Profile Soft Close Seat | 977775SC |
| Left Hand Skew Trap with Profile Soft Close Seat  | 977770SC |
| Back Entry Conversion Kit                         | 687257   |

**Note:** All height dimensions to underside of pan, make allowance for bedding.

**Bedding:** The pan should be fixed to the floor with a sand cement mixture of 3:1 to a depth of 60mm. Do not use lime or fast drying cement in the bedding mixture. When bedded the back of the foot of the pan should be approximately 10mm above the finished floor.

**Screw fixing:** The pan should be bedded with an acetic cured silicone sealant and fixed with corrosion resistant screws and pan guard washers. Use Caroma screw fixing kit. Code No.601150.