

# caroma®

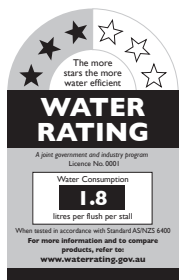
CI/SfB	(74.1)	g3
Date	July 2008	

Supersedes all previous issues

## Leda Invisi II Urinal Suite

# 7.02.2

Vitreous China Wall-Hung Boxed Rim  
Urinal with Invisi II Cistern for  
Inwall, Induct or Inceiling applications



Available November 2008

# Leda Invisi II Urinal Suite

Vitreous China Wall-Hung Boxed Rim Urinal with Invisi II Cistern for Inwall, Induct or Inceiling applications



A premium designed compact wall-hung box rim urinal of modern design with a concealed trap and easy to clean surfaces for low cost maintenance. The box rim flush provides for the wash down of the entire inside area of the bowl on each flush. The grate is vitreous china and factory fitted. Concealed cistern and plumbing fittings provide space saving, ease of cleaning and performance matched components to maximise flushing efficiency.

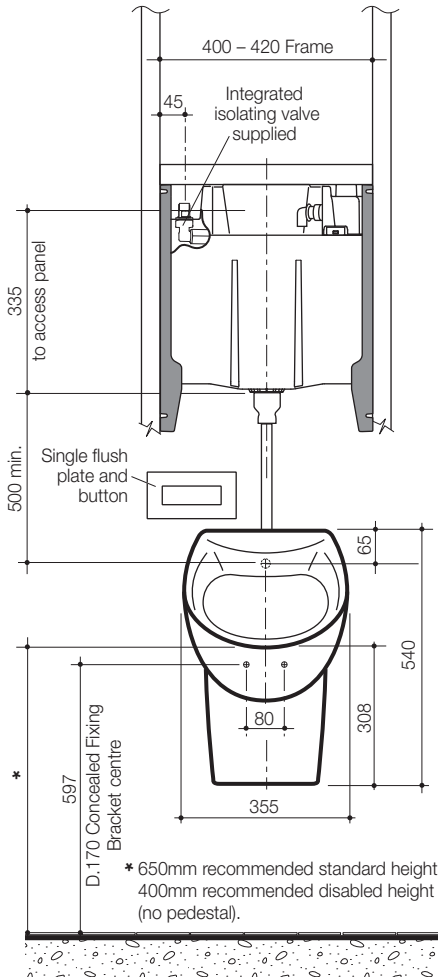
**Leda Invisi II** urinal suite Code No.741100W.

- Traps:** P-trap only.
- Inlet:** Back inlet for concealed 19mm sparge pipe and compression rubber fitting.
- Outlet:** The urinal trap is connected to the wall waste pipe which allows for a simple push on urinal connection.
- Cistern:** **Invisi II Cistern** – suitable for inwall, induct and in ceiling applications. Achieves a 3 star water efficiency rating when installed as a single stall urinal. Buttons are supplied separately, see page 6.15.1 for button and panel options. For inwall applications a blank access panel and remote single flush button are required (not supplied). For induct or in ceiling applications where access is available to the cistern and button either the remote or custom buttons are suitable (not supplied).
- Fixing:** The **Leda** urinal is fixed to the wall with the D.170 Concealed Fixing Bracket supplied. **Cistern** is simply mounted into position by clipping onto the two quick clip mounting brackets which are secured with screws to the studwork or induct brickwork. Cistern brackets supplied.
- Colours:** White only.

**Dimensions:** All dimensions are in millimetres and are subject to normal manufacturing variations. Caroma pursues a policy of continuing improvement in design and performance of its products. The right is therefore reserved to vary specifications without notice.

## Leda Invisi II Urinal Inwall/Induct Installation

### Inwall Urinal Suite



### Induct Urinal Suite

