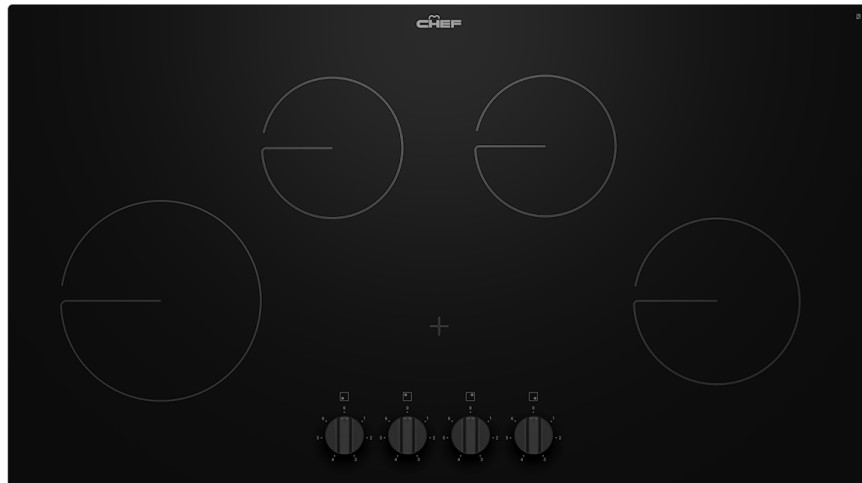


**90cm 4 zone ceramic cooktop with hot surface indicator, 6 power levels and easy clean ceramic surface.**



## Product Details

### FEATURES

---

2.3kW powerful zone

Easy clean ceramic surface

Hot surface indicator

Stylish and functional knobs

---

6 power levels

Auto off safety

---

### BENEFITS

---

Stylish black control knobs

Style and simplicity unite with our easy to use black cooktop knobs.

Designed for a safer cooking experience

Designed with your safety in mind, our hot surface indicator alerts you when your cooktop surface is hot.

---

Cooktop cleaning made easy

Enjoy more cooking and less cleaning with our easy to clean cooktops.

---

# Specifications

## PRODUCT PROFILE

Domestic warranty details (yrs)	2
Cooktop type	ceramic
Materials/Colour	black ceramic glass
Knob Finish	black

## CONTROLS

Controls of Cooktops	knob
Position of controls	front
Features of Cooktop	hot surface indicator

## LEFT REAR ZONE

## DIMENSIONS

Total product height (mm)	51
Total product width (mm)	900
Total product depth (mm)	520
Cut out width (mm)	880
Cut out depth (mm)	490

## ELEMENTS/BURNERS

### LEFT FRONT ZONE

Left front zone	ceramic dual
Left front Watts	2200
Left front number of cooking zones	2
Left front diameter mm	210

### RIGHT FRONT ZONE

Left rear zone	ceramic
Left rear watts	1200
Left rear number of cooking zones	1
Left rear diameter mm	140

Right front zone	ceramic
Right front Watts	1800
Right front number of cooking zones	1
Right front diameter mm	180

### RIGHT REAR ZONE

Right rear zone	ceramic
Right rear watts	1200
Right rear number of cooking zones	1
Right rear diameter mm	140

### ELECTRICAL SPECIFICATIONS

Connected load KW	6.4
Type of connection	hardwired

### SHIPPING

Shipping Volume (m3)	0.066
Shipping Weight (Kg)	11.5
Pack Dimensions Height (mm)	110
Pack Dimension Width (mm)	1005

### STUFFING QUANTITIES

20ft	400
40ft	840
40ft HC	902

## SHIPPING

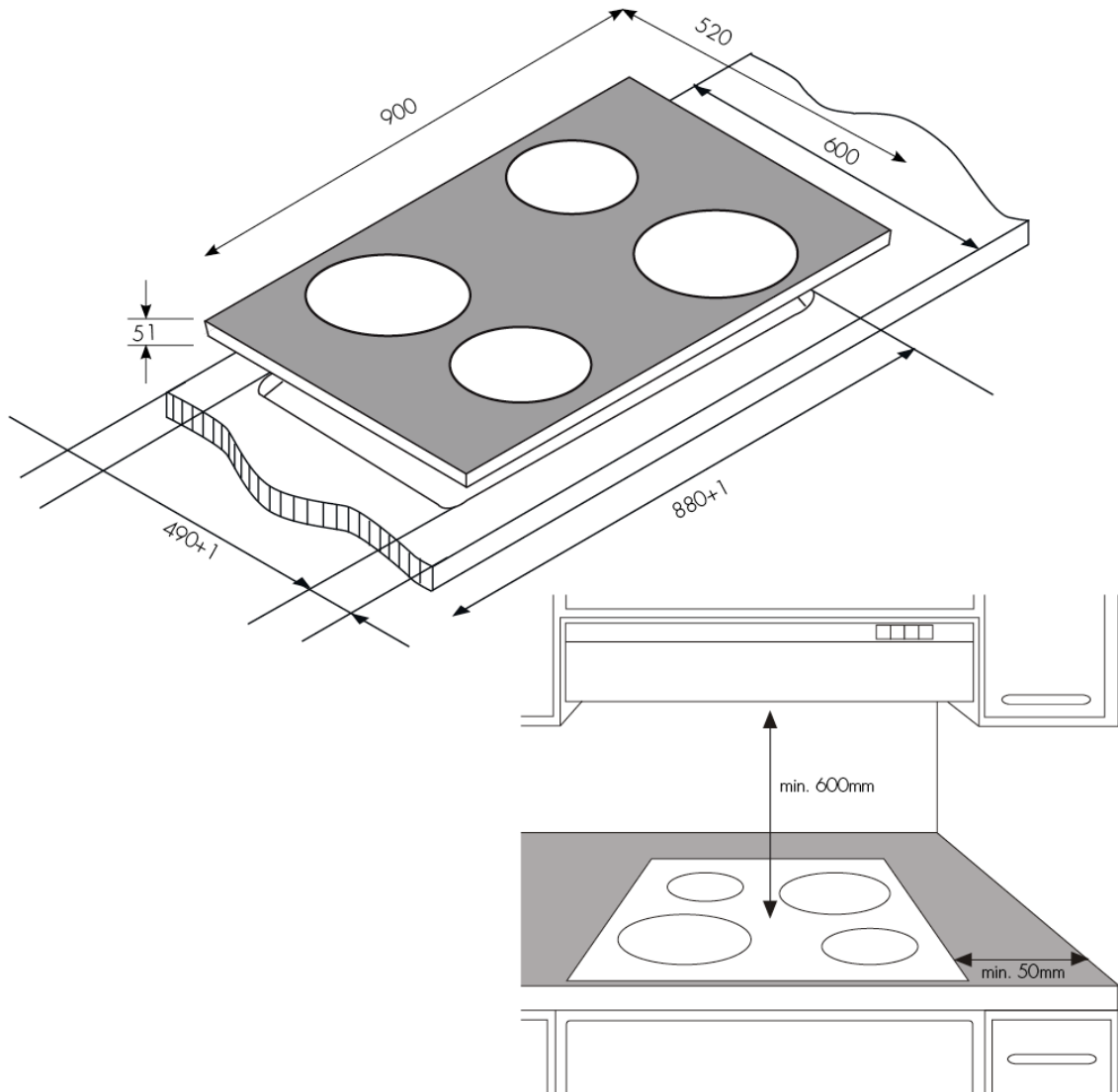
---

Pack Dimension Depth (mm)	600
------------------------------	-----

---

## Dimensions

**IMPORTANT** These dimensions are a guide only. All measurements are in millimetres (mm). For complete installation instructions, refer to the manual provided with product.



© 2021 Electrolux Home Products Pty Ltd. ABN 51 004 762 341. C\_DIM\_Cooktops\_May21

# Terms and Conditions

## IMPORTANT

This is a guide of product dimensions only. For complete installation instructions, refer to the manual provided with product.

## PRODUCT INFORMATION

The descriptors and illustrations in this publication apply to the specific products and models described as at the date of issue. Under our policy of continuous product development, product specifications may change without notice. Prospective purchasers should therefore check with their retailer to ensure this publication correctly describes the products that are being offered for sale. All information supplied is to be used for general reference purposes only and is on the understanding that Electrolux Home Products Pty Ltd (Australia) and Electrolux (NZ) Ltd (New Zealand) will not be liable for any loss, liability or damage of whatever kind arising as a result of reliance on such information. Colours of products illustrated are as close as printing limitations allow. Electrolux will at all times comply with its obligations pursuant to law including Trade Practices (Australian Consumer Law) Act and Regulations.

## WARRANTY

This warranty only applies to Appliances purchased and used in Australia or New Zealand and used in normal domestic applications and is in addition to (and does not exclude, restrict, or modify in any way) any non-excludable statutory warranties in Australia or New Zealand. All warranties are subject to the conditions set out in the warranty card accompanying the product when purchased.

### ELECTROLUX HOME PRODUCTS AUSTRALIA

telephone: 1300 363 640

fax: 1800 350 067

email: [customercare@electrolux.com.au](mailto:customercare@electrolux.com.au)

web: [www.electrolux.com.au](http://www.electrolux.com.au)

### ELECTROLUX HOME PRODUCTS NEW ZEALAND

telephone: 09 573 2230

fax: 09 573 2221

email: [customercare@electrolux.co.nz](mailto:customercare@electrolux.co.nz)

web: [www.electrolux.co.nz](http://www.electrolux.co.nz)