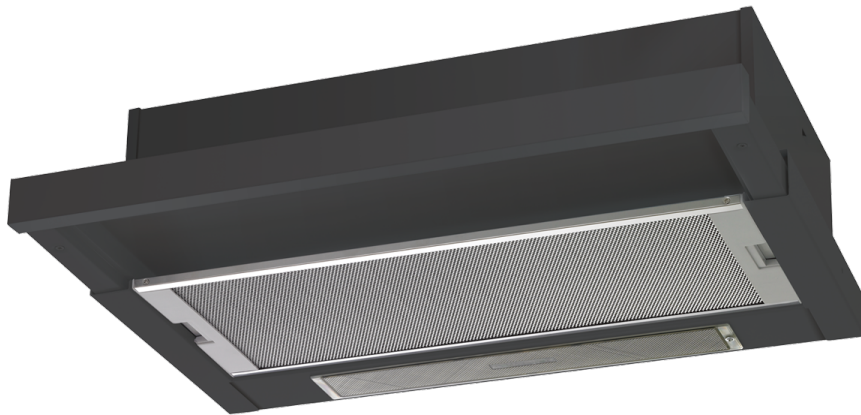


**60cm slide-out rangehood with black front, 200 m<sup>3</sup>/hr extraction rate, LED lighting, 2 fan speeds, auto activated push-pull controls and dishwasher safe mesh filters.**



## Product Details

### FEATURES

---

200 m3/hr extraction rate

Long lasting LED lighting

2 fan speed options

Dishwasher Safe mesh filters

---

Auto activated push-pull controls

---

### BENEFITS

---

**Banish kitchen smoke and odours**  
Keep your kitchen free from smoke and cooking odours with Chefs high extraction rate.

**Low energy and long lasting LED lighting**  
A rangehood that lights up so you can cook with ease. Cook and see your meal clearly with our bright LED lighting that is both low energy and long lasting.

---

**Dishwasher safe filters. Easy**  
The easy to remove rangehood filters can be washed safely in the dishwasher for a mess-free clean up.

**Control with ease**  
The user friendly and fuss free controls offer a simpler cooking experience.

---

# Specifications

## PRODUCT PROFILE

Domestic warranty details (yrs)	2
Type of Rangehood	slide out
Nominal width (cm)	600
Finish of Rangehood	black

## DIMENSIONS

Total product height (mm)	175
Total product width (mm)	597
Total product depth (mm)	300
Diameter of ducting (mm)	120
Minimum installation height from cooking surface Gas (mm)	650

## MOTOR/FAN

Number of fans	1
Number of fans speeds	2
Type of motor	centrifugal
Maximum airflow M3/Hr	200
Noise level dB high	68
Noise level dB low	65

## CONTROLS

Control panel	auto activated pull/push
---------------	--------------------------

## DIMENSIONS

---

Minimum installation height from cooking surface Electric (mm)	600
--	-----

---

## FILTERS

---

Number of filters	2
Type of filter	multilayer aluminum micromesh filters
Dishwasher safe	Yes

---

## DUCTING / RECIRCULATION

---

Ducting	yes
Top or rear duct hole	top
Recirculation option	Yes
Recirculation kit	optional accessory
Front recirculating option	No
Optional extension flue	No
Type of filter	Carbon

---

## LIGHTS

---

Number of lights	1
Wattage of light	5.5
Type of light	LED

---

## SHIPPING

---

Product Weight (Kg)	7.5
Pack Dimensions Height (mm)	245
Pack Dimension Width (mm)	655
Pack Dimension Depth (mm)	365

---

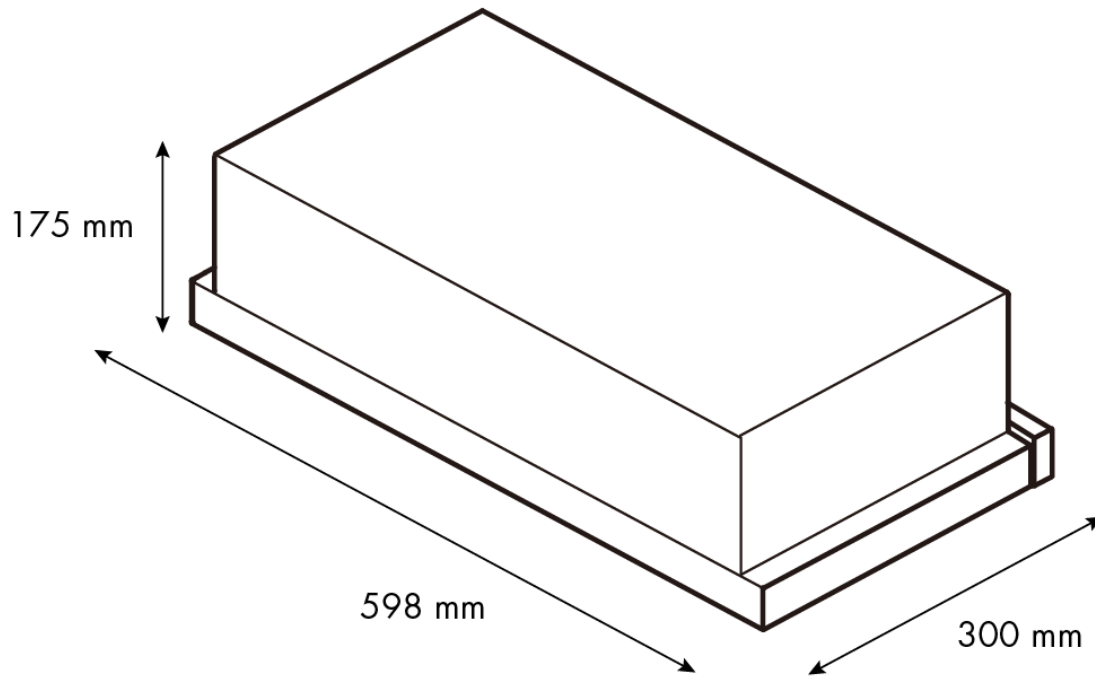
## STUFFING QUANTITIES

---

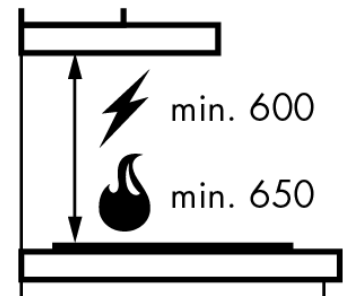
20ft	432
40ft	972
40ft HC	1075

---

## Dimensions



**IMPORTANT** These dimensions are a guide only. All measurements are in millimetres (mm). For complete installation instructions, refer to the manual provided with product.



© 2021 Electrolux Home Products Pty Ltd. ABN 51 004 762 341. C\_DIM\_Rangehoods\_May21

## Terms and Conditions

### IMPORTANT

This is a guide of product dimensions only. For complete installation instructions, refer to the manual provided with product.

### PRODUCT INFORMATION

The descriptors and illustrations in this publication apply to the specific products and models described as at the date of issue. Under our policy of continuous product development, product specifications may change without notice. Prospective purchasers should therefore check with their retailer to ensure this publication correctly describes the products that are being offered for sale. All information supplied is to be used for general reference purposes only and is on the understanding that Electrolux Home Products Pty Ltd (Australia) and Electrolux (NZ) Ltd (New Zealand) will not be liable for any loss, liability or damage of whatever kind arising as a result of reliance on such information. Colours of products illustrated are as close as printing limitations allow. Electrolux will at all times comply with its obligations pursuant to law including Trade Practices (Australian Consumer Law) Act and Regulations.

### WARRANTY

This warranty only applies to Appliances purchased and used in Australia or New Zealand and used in normal domestic applications and is in addition to (and does not exclude, restrict, or modify in any way) any non-excludable statutory warranties in Australia or New Zealand. All warranties are subject to the conditions set out in the warranty card accompanying the product when purchased.

#### ELECTROLUX HOME PRODUCTS AUSTRALIA

telephone: 1300 363 640

fax: 1800 350 067

email: [customercare@electrolux.com.au](mailto:customercare@electrolux.com.au)

web: [www.electrolux.com.au](http://www.electrolux.com.au)

#### ELECTROLUX HOME PRODUCTS NEW ZEALAND

telephone: 09 573 2230

fax: 09 573 2221

email: [customercare@electrolux.co.nz](mailto:customercare@electrolux.co.nz)

web: [www.electrolux.co.nz](http://www.electrolux.co.nz)