

60cm multi-function 3 white fan forced oven with 10A Plug & Play, dial controls, and 80L capacity.



Product Details

FEATURES

Plug and play with 10A socket	Fast and even cooking results	Easy to use dial controls	80L cooking capacity
<hr/>			
Fan forced oven	White finish		
<hr/>			

BENEFITS

Simply plug to play. Easy Installation
 Installation is quick and easy and doesn't require professional help. The standard 10amp plug connects straight into the wall so you can start cooking delicious meals straight away.

Easy to use oven controls
 User friendly design and easy to use dial controls makes cooking simple and more enjoyable. Control heat and cooking times with a simple touch.

Fan forced and fast
 The powerful fan forced oven provides even heat distribution and faster cooking times for better results in the kitchen.

80L cooking capacity
 With room to cook larger style family meals, the 80L oven capacity gives you the flexibility to cook for a crowd with ease.

Built in Australia
 Chef has been part of Australian homes for generations and the kitchen appliance brand we have always known and trusted to build reliable products. This oven is built in a local factory in Adelaide.

Specifications

PRODUCT PROFILE

Domestic warranty details (yrs)	2
Type of Oven	single oven
Oven fuel	electric
Materials/Colour	white
Controls of Oven	control knob
Cooling fan	Yes

FLUSH FIT CUT OUT

Flush fit cut out height (mm)	600
Flush fit cut out width (mm)	600
Flush fit cut out depth (mm)	581

DIMENSIONS

PRODUCT DIMENSION

Total height (mm)	597
Total width (mm)	596
Total depth (mm)	573

MAIN OVEN

Gross capacity litres	80
Useable capacity litres	72
Oven function	multifunction
Number of functions	3
Oven Functions	grill,defrost,fan bake
Oven liner	enamel

ELECTRICAL CONNECTION

Connected load KW	2.3
Maximum current rating (amps)	9.6
Type of connection	10A plug & lead

MAIN OVEN

Light wattage	25
---------------	----

OTHER FEATURES

Door	removable inner glass panes, drop down, cool door
Timer	2 hour mechanical
Lights	1
Light wattage	25
Light position	rear
Shelf support	easy clean formed shelf supports
Number of shelves	2
Included accessories	wire grill insert, roasting dish, grill dish, 2 x wire shelves
Layers of glass in door	3
Number of shelf positions	5

SHIPPING

STUFFING QUANTITIES

SHIPPING

Shipping Volume (m3)	0.283
----------------------	-------

Shipping Weight (Kg)	33
----------------------	----

Pack Dimensions Height (mm)	665
-----------------------------	-----

Pack Dimension Width (mm)	635
---------------------------	-----

Pack Dimension Depth (mm)	670
---------------------------	-----

STUFFING QUANTITIES

20ft	72
------	----

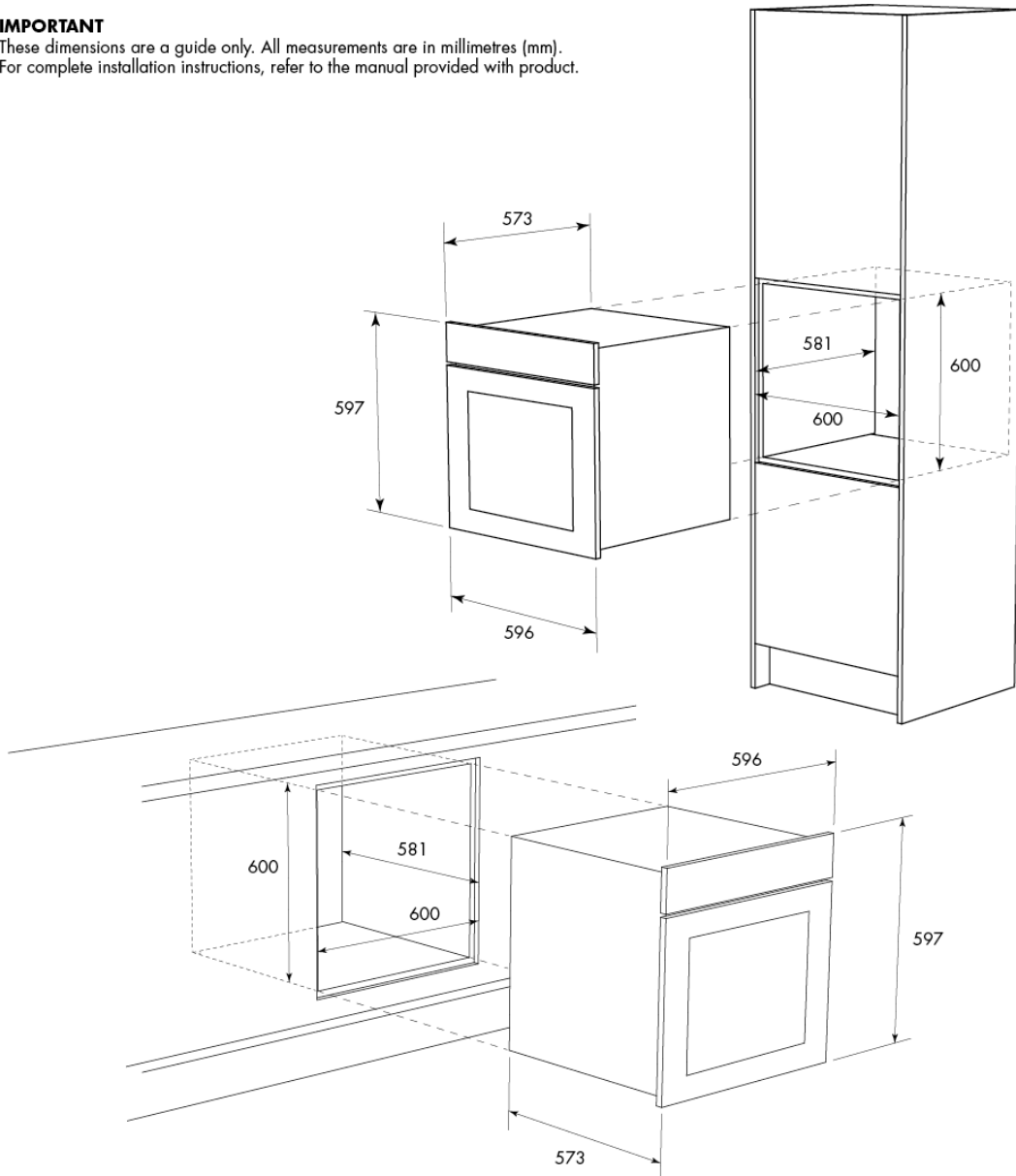
40ft	153
------	-----

40ft HC	153
---------	-----

Dimensions

IMPORTANT

These dimensions are a guide only. All measurements are in millimetres (mm). For complete installation instructions, refer to the manual provided with product.



Terms and Conditions

IMPORTANT

This is a guide of product dimensions only. For complete installation instructions, refer to the manual provided with product.

PRODUCT INFORMATION

The descriptors and illustrations in this publication apply to the specific products and models described as at the date of issue. Under our policy of continuous product development, product specifications may change without notice. Prospective purchasers should therefore check with their retailer to ensure this publication correctly describes the products that are being offered for sale. All information supplied is to be used for general reference purposes only and is on the understanding that Electrolux Home Products Pty Ltd (Australia) and Electrolux (NZ) Ltd (New Zealand) will not be liable for any loss, liability or damage of whatever kind arising as a result of reliance on such information. Colours of products illustrated are as close as printing limitations allow. Electrolux will at all times comply with its obligations pursuant to law including Trade Practices (Australian Consumer Law) Act and Regulations.

WARRANTY

This warranty only applies to Appliances purchased and used in Australia or New Zealand and used in normal domestic applications and is in addition to (and does not exclude, restrict, or modify in any way) any non-excludable statutory warranties in Australia or New Zealand. All warranties are subject to the conditions set out in the warranty card accompanying the product when purchased.

ELECTROLUX HOME PRODUCTS AUSTRALIA

telephone: 1300 363 640

fax: 1800 350 067

email: customercare@electrolux.com.au

web: www.electrolux.com.au

ELECTROLUX HOME PRODUCTS NEW ZEALAND

telephone: 09 573 2230

fax: 09 573 2221

email: customercare@electrolux.co.nz

web: www.electrolux.co.nz