

60cm multi-function 7 black fan forced oven with Quick Cook, programmable timer, and 80L capacity.



Product Details

FEATURES

Quick Cook for rapid, high and even heat

Programmable timer

Fast and even cooking results

Fan forced oven

Easy to use dial controls

80L cooking capacity

Black finish

BENEFITS

High heat for incredible roasts. Easy. Rapid, high and even heat means better roasts at home.

Set and forget cooking. Easy. The programmable timer means that you can set the cooking start time and duration, and well do the rest.

Fan forced and fast
The powerful fan forced oven provides even heat distribution and faster cooking times for better results in the kitchen.

80L cooking capacity
With room to cook larger style family meals, the 80L oven capacity gives you the flexibility to cook for a crowd with ease.

Built in Australia
Chef has been part of Australian homes for generations and the kitchen appliance brand we have always known and trusted to build reliable products. This oven is built in a local factory in Adelaide.

Modern black finish
The black control panel finish and dark glass oven door has been designed with the latest kitchen trends in mind. This modern and versatile look will suit every kitchen space.

Specifications

PRODUCT PROFILE

Domestic warranty details (yrs)	2
Type of Oven	single oven
Oven fuel	electric
Materials/Colour	black
Controls of Oven	control knob
Cooling fan	Yes

FLUSH FIT CUT OUT

Flush fit cut out height (mm)	600
Flush fit cut out width (mm)	600
Flush fit cut out depth (mm)	581

DIMENSIONS

PRODUCT DIMENSION

Total height (mm)	597
Total width (mm)	596
Total depth (mm)	573

MAIN OVEN

Gross capacity litres	80
Useable capacity litres	72
Oven function	multifunction
Number of functions	7
Oven Functions	traditional bake,pizza,grill,fan grill,defrost,fan bake,Quick cook

ELECTRICAL CONNECTION

Connected load KW	3.1
Maximum current rating (amps)	12.9
Type of connection	hardwired

MAIN OVEN

Oven liner	enamel
Light wattage	25

OTHER FEATURES

Door	drop down,removable inner glass panes,cool door
Timer	Programmable timer
Lights	1
Light wattage	25
Light position	rear
Shelf support	easy clean formed shelf supports
Number of shelves	2
Included accessories	wire grill insert,side racks,grill dish,enamel full width baking tray,2 x wire shelves
Layers of glass in door	3
Number of shelf positions	5

SHIPPING

Shipping Volume (m3)	0.283
----------------------	-------

Shipping Weight (Kg)	33.5
----------------------	------

Pack Dimensions Height (mm)	665
-----------------------------	-----

Pack Dimension Width (mm)	635
---------------------------	-----

Pack Dimension Depth (mm)	670
---------------------------	-----

STUFFING QUANTITIES

20ft	72
------	----

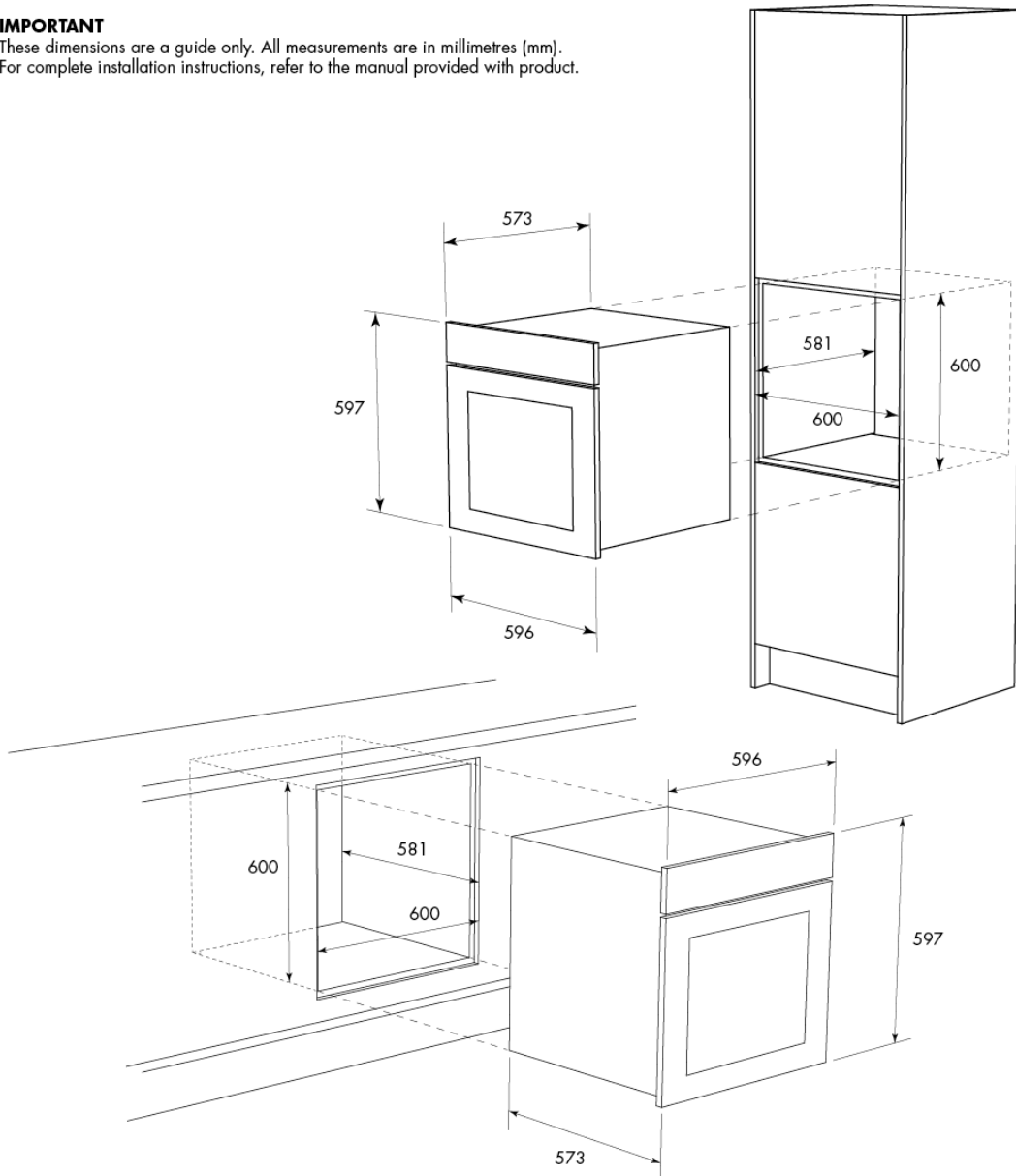
40ft	153
------	-----

40ft HC	153
---------	-----

Dimensions

IMPORTANT

These dimensions are a guide only. All measurements are in millimetres (mm).
For complete installation instructions, refer to the manual provided with product.



Terms and Conditions

IMPORTANT

This is a guide of product dimensions only. For complete installation instructions, refer to the manual provided with product.

PRODUCT INFORMATION

The descriptors and illustrations in this publication apply to the specific products and models described as at the date of issue. Under our policy of continuous product development, product specifications may change without notice. Prospective purchasers should therefore check with their retailer to ensure this publication correctly describes the products that are being offered for sale. All information supplied is to be used for general reference purposes only and is on the understanding that Electrolux Home Products Pty Ltd (Australia) and Electrolux (NZ) Ltd (New Zealand) will not be liable for any loss, liability or damage of whatever kind arising as a result of reliance on such information. Colours of products illustrated are as close as printing limitations allow. Electrolux will at all times comply with its obligations pursuant to law including Trade Practices (Australian Consumer Law) Act and Regulations.

WARRANTY

This warranty only applies to Appliances purchased and used in Australia or New Zealand and used in normal domestic applications and is in addition to (and does not exclude, restrict, or modify in any way) any non-excludable statutory warranties in Australia or New Zealand. All warranties are subject to the conditions set out in the warranty card accompanying the product when purchased.

ELECTROLUX HOME PRODUCTS AUSTRALIA

telephone: 1300 363 640

fax: 1800 350 067

email: customercare@electrolux.com.au

web: www.electrolux.com.au

ELECTROLUX HOME PRODUCTS NEW ZEALAND

telephone: 09 573 2230

fax: 09 573 2221

email: customercare@electrolux.co.nz

web: www.electrolux.co.nz