

60cm stainless steel trimmed slide out rangehood with maximum airflow of 625m³/hr, multi-layer dishwasher safe filters and long lasting LED lighting.



Product Details

FEATURES

Switch and slide controls

Max airflow of 625m³/h

Operation noise as low as
47dB(A)

Multi-layer filters

Dishwasher safe filters

LED lighting

2 fan speeds

BENEFITS

Easy to use

This slide out rangehood with pull out 2 speed controls makes it simple to adjust fan speeds to suit your cooking needs

Maximise your airflow

Remove odours and vapours quickly and efficiently with a high airflow rate of 625m³/h

Keep the noise down

With noise levels as low as 47dB(A), keep the conversation going smoothly when entertaining guests.

Specifications

PRODUCT PROFILE

Domestic warranty details (yrs)	2
---------------------------------	---

Type of Rangehood	slide out
-------------------	-----------

Nominal width (cm)	598
--------------------	-----

Finish of Rangehood	stainless steel,grey
---------------------	----------------------

DIMENSIONS

Total product height (mm)	275
---------------------------	-----

Total product width (mm)	600
--------------------------	-----

Total product depth (mm)	300
--------------------------	-----

Diameter of ducting (mm)	150
--------------------------	-----

MOTOR/FAN

Number of fans	2
----------------	---

Number of fans speeds	2
-----------------------	---

Type of motor	centrifugal
---------------	-------------

Perimeter extraction	No
----------------------	----

Auto fan timer	No
----------------	----

Maximum airflow M3/Hr	625
-----------------------	-----

Noise level dB high	69
---------------------	----

Noise level dB low	47
--------------------	----

CONTROLS

Control panel	switch and slide
---------------	------------------

LED speed display	No
-------------------	----

Removal front fascia	No
----------------------	----

DIMENSIONS

Minimum installation height
from cooking surface Gas
(mm) 650

Minimum installation height
from cooking surface
Electric (mm) 600

FILTERS

Number of filters 2

Type of filter aluminum micromesh

Dishwasher safe Yes

LIGHTS

Number of lights 2

Wattage of light 4

Type of light LED

DUCTING / RECIRCULATION

Ducting yes

Top or rear duct hole top

Recirculation option Yes

Recirculation kit no

Front recirculating option No

Optional extension flue No

DUCTING / RECIRCULATION

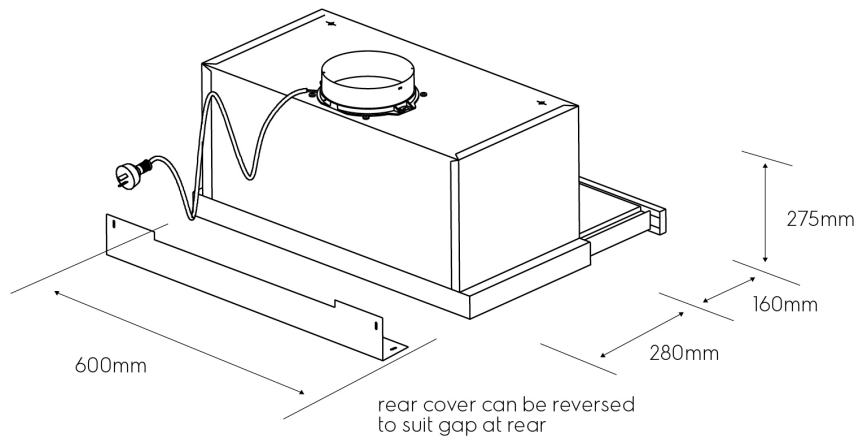
Type of filter	Carbon
----------------	--------

Number of optional filters required	two
-------------------------------------	-----

Dimensions

Dimensions

	width	height	depth
Duct diameter	150		
Product (mm)	600	275	280



Terms and Conditions

IMPORTANT

This is a guide of product dimensions only. For complete installation instructions, refer to the manual provided with product.

PRODUCT INFORMATION

The descriptors and illustrations in this publication apply to the specific products and models described as at the date of issue. Under our policy of continuous product development, product specifications may change without notice. Prospective purchasers should therefore check with their retailer to ensure this publication correctly describes the products that are being offered for sale. All information supplied is to be used for general reference purposes only and is on the understanding that Electrolux Home Products Pty Ltd (Australia) and Electrolux (NZ) Ltd (New Zealand) will not be liable for any loss, liability or damage of whatever kind arising as a result of reliance on such information. Colours of products illustrated are as close as printing limitations allow. Electrolux will at all times comply with its obligations pursuant to law including Trade Practices (Australian Consumer Law) Act and Regulations.

WARRANTY

This warranty only applies to Appliances purchased and used in Australia or New Zealand and used in normal domestic applications and is in addition to (and does not exclude, restrict, or modify in any way) any non-excludable statutory warranties in Australia or New Zealand. All warranties are subject to the conditions set out in the warranty card accompanying the product when purchased.

ELECTROLUX HOME PRODUCTS AUSTRALIA

telephone: 1300 363 640

fax: 1800 350 067

email: customercare@electrolux.com.au

web: www.electrolux.com.au

ELECTROLUX HOME PRODUCTS NEW ZEALAND

telephone: 09 573 2230

fax: 09 573 2221

email: customercare@electrolux.co.nz

web: www.electrolux.co.nz