

**10kg wash & 6kg dry washer dryer combination, with 5 star energy and 4.5 star WELS rating. This washer dryer is Wi-Fi enabled and features the latest SensorWash technology, UltraMix + Jet system, Woolmark Blue certification (wash) and vapour refresh options.**



## Product Details

### FEATURES

---

High performance 1400 rpm spin cycle

**Gentle Drum**  
More smaller holes allow water to pass in and out of the drum quickly, while also helping to reduce pulling of your clothes during high-speed spinning.

**Extra-Large Door Opening**

**Add Clothes**  
With our Add Clothes function, you can quickly add those forgotten items. It can only be used when the water level is below the door and on programs where the water temperature is less than 60 degrees Celsius.

5 Energy Stars rated

**Save your favourite program**

**Woolmark Blue Certified**

**EcoInverter**  
The ecoinverter motor delivers quieter operation, improvements in energy efficiency and improved durability, backed by a 10 year parts & labour inverter motor warranty ensuring peace of mind.

### BENEFITS

---

**Hygienic Care**  
Electrolux front load washers with Hygienic Care option selected remove up to 99.2% of Der f1 (dust mite) and Fel d1 (cat allergen) and up to 99.9% of Staphylococcus aureus and Klebsiella pneumonia during a 40C cottons wash.

**Intuitive and intelligent**  
Keep colours bright, whites startling and blacks dark. Smart sensors automatically detect the soil and detergent levels to adjust the washing time for optimal, energy-efficient results that reduces unnecessary wear on fabrics.

**Extra-Large Door Opening**  
The extra-large door opening was designed to make loading and unloading your machine a breeze. With easy access to the inside drum, you will enjoy better visibility so you never miss those smaller items.

**Quietly efficient**  
Reduce your energy needs by up to 50% with a powerful and reliable EcoInverter motor. With the 10 year parts and labour inverter motor warranty your Electrolux will deliver, wash after wash, year after year. \*vs Electrolux non inverter motors

**REMOVES 49 VISIBLE STAINS\***

Wash out all kinds of stubborn stains with ease, without the need for pre-treatments. SensorWash technology automatically detects dirt and soil levels and adjusts the cycle duration accordingly to effortlessly remove 49 different visible stains.\*\*Tested on 4.5kg load with 5cm<sup>2</sup> stains from food, household and personal products using Cotton 40C + Stain Cycle. Results may vary depending on factors such as load size, type and duration of soiling, detergent type and water pressure.

---

**Hand it to us**

You can safely trust your Electrolux to treat your delicate wool garments with utmost care. Our wool cycle is proven to be gentle enough even for your hand wash only woollens, keeping them as fresh and lovely as they felt when you first put them on.

**Deeper clean**

Say goodbye to detergent or soil residue on your freshly washed garments. UltraMix ensures detergent is fully dissolved before it reaches your fabrics for 40% less colour fading after 52 washes, even using cold water.

---

## Specifications

### PRODUCT PROFILE

---

Domestic warranty details (yrs) 2

---

Front Loader Type combination front loader and dryer

---

Capacity (Kg) 10

---

Frontloader Wash system UltraMix,SensorWash,jetsystem

---

### DRYER

---

Capacity (Kg) 6

---

### DIMENSIONS

---

#### PRODUCT

---

Total height (mm) 850

---

Total width (mm) 600

---

Total depth (mm) 660

---

### DRYING PROGRAMS

---

Drying Programs WashDry  
60,Cotton,Delicate,Wool,time  
drying,Favourite,Bedding,Energy  
Saver,Vapour  
Refresh,Mixed,Hygienic Care

---

Options available temperature selection,Time Dry

---

Fabric type selection cotton,wool,delicate

---

Reminder/ Indicators time dry,child lock

---

**ENERGY FOR WASHING**

---

Water Efficiency Star Rating 4.5

---

WELS Registration Number C02044

---

Water Consumption (litres) 83

---

Energy Efficiency Star Rating 5

---

Energy Consumption Warm (KWhr/yr) 226

---

Noise level dBA 52

---

**ENERGY FOR DRYING**

---

Energy Efficiency Star Rating 3

---

Energy Consumption (KWhr/yr) 229

---

Water Consumption (litres) 65

---

**WASH PROGRAMS**

---

Number of Programs 14

---

Frontloader Wash programs Delicate,Bedding,spin,Mixed,Energy Saver,Cotton,Wool,Vapour Refresh,Rinse & Spin,App Program,Sports,Quick 15,Favourite,Daily 39,Full Wash 60

---

Wash options Delay Start,SensorWash,Child Lock,Rinse,Add Clothes,Hygienic Care,Temperature,Spin Option

---

Dispenser pre-wash dispenser,Powder or liquid detergent dispenser,Fabric softener dispenser

---

**CONTROLS**

---

Type of controls rotary,Touch button,electronic interface

---

Control panel colour blue

---

Functions available prewash,Add Clothes,SensorWash,Child Lock,Temperature,UltraMix

---

Type of display LCD

---

## WASH PROGRAMS

---

Wash and Dry Programs      WashDry 60,Cottons

---

Wash and Dry options      Time Dry,Dryness Level

---

## BOWL

---

Drum material                      stainless steel

---

## CABINET

---

Cabinet Colour                      white

---

Cabinet material                      painted galvanized steel

---

## DOOR

---

Reversible                              No

---

door lock                                Yes

---

## TECHNICAL

---

Water pressure requirements min      50

---

Water pressure requirements max      800

---

Water supply                              cold

---

Inlet hose length                        1350

---

Inlet hose extension avail as spare part      Yes

---

Drain hose length                        1450

---

**TECHNICAL**

---

Drain hose extension avail  
as spare part      Yes

---

Service cord length      1500

---

Motor type      Ecoinverter

---

Maximum spin speed      1400

---

Variable spin speed      Yes

---

Number of spin speeds      6

---

**SHIPPING**

---

Shipping Volume (m3)      38.6

---

Shipping Weight (Kg)      80.5

---

Pack Dimensions Height  
(mm)      870

---

Pack Dimension Width  
(mm)      635

---

Pack Dimension Depth  
(mm)      698

---

**STUFFING QUANTITIES**

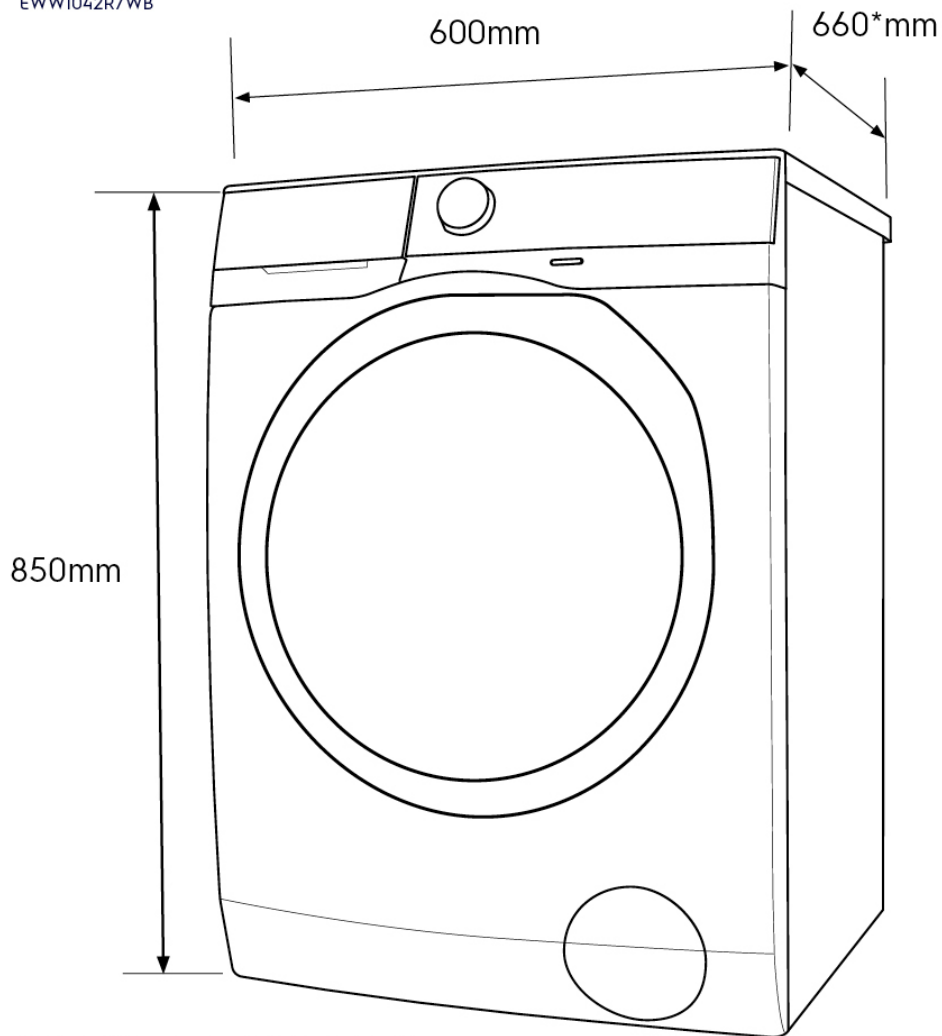
---

40ft HC      150

---

## Dimensions

**Model:**  
EWF8024Q5WB  
EWF9024Q5WB  
EWF9042R7WB  
EWF1042R7WB  
EWF1041R9WB  
EWW1042R7WB



\*Add 20mm for the hose protrusion at the back.

**IMPORTANT**

This is a guide of product dimensions only. For complete installation instructions, refer to the manual provided with product.



## Terms and Conditions

### IMPORTANT

This is a guide of product dimensions only. For complete installation instructions, refer to the manual provided with product.

### PRODUCT INFORMATION

The descriptors and illustrations in this publication apply to the specific products and models described as at the date of issue. Under our policy of continuous product development, product specifications may change without notice. Prospective purchasers should therefore check with their retailer to ensure this publication correctly describes the products that are being offered for sale. All information supplied is to be used for general reference purposes only and is on the understanding that Electrolux Home Products Pty Ltd (Australia) and Electrolux (NZ) Ltd (New Zealand) will not be liable for any loss, liability or damage of whatever kind arising as a result of reliance on such information. Colours of products illustrated are as close as printing limitations allow. Electrolux will at all times comply with its obligations pursuant to law including Trade Practices (Australian Consumer Law) Act and Regulations.

### WARRANTY

This warranty only applies to Appliances purchased and used in Australia or New Zealand and used in normal domestic applications and is in addition to (and does not exclude, restrict, or modify in any way) any non-excludable statutory warranties in Australia or New Zealand. All warranties are subject to the conditions set out in the warranty card accompanying the product when purchased.

#### ELECTROLUX HOME PRODUCTS AUSTRALIA

telephone: 1300 363 640

fax: 1800 350 067

email: [customercare@electrolux.com.au](mailto:customercare@electrolux.com.au)

web: [www.electrolux.com.au](http://www.electrolux.com.au)

#### ELECTROLUX HOME PRODUCTS NEW ZEALAND

telephone: 09 573 2230

fax: 09 573 2221

email: [customercare@electrolux.co.nz](mailto:customercare@electrolux.co.nz)

web: [www.electrolux.co.nz](http://www.electrolux.co.nz)