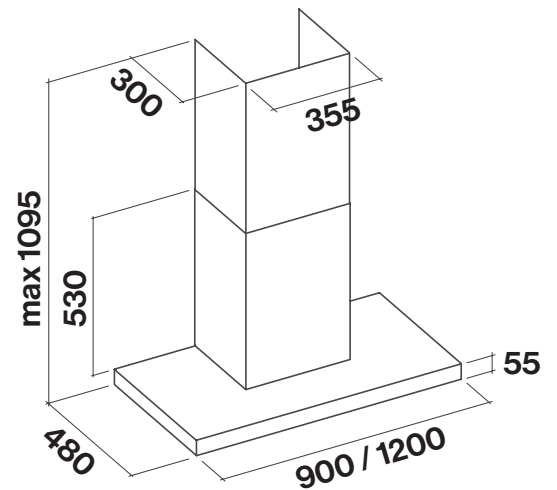




Product Features

Motor Type	On Board Motor
Dimensions	90cm: 900(W) x 1095(H) x 480(D)mm Suits 75cm-100cm Cooking Surfaces 120cm: 1200(W) x 1095(H) x 480(D)mm Suits 90cm-130cm Cooking Surfaces
Filter	Perimeter
Lighting	1 x Neon
Controls	Touch Controls
Speed Settings	3 Speed + Boost
Timer Function	15 Min Auto Shut-Off
Ducting	150mm Circular Outlet
Optional Accessories	Charcoal Filters 700mm Wall Flue Extension 1200mm Island Flue Extension
Remote Control	Optional
Grease Filter Alarm	Yes
Dishwasher Safe Filters	Yes

Dimensioned Drawings



Model Code	Size	Motor Output	Finish
F5LA90S1	90cm	800 m³/hr	Stainless Steel
F5LA90B1	90cm	800 m³/hr	Black
F5LA90W1 •	90cm	800 m³/hr	White
F5LA12S1 •	120cm	800 m³/hr	Stainless Steel
F5LA12B1 •	120cm	800 m³/hr	Black
F5LA12W1 •	120cm	800 m³/hr	White

Special Order •