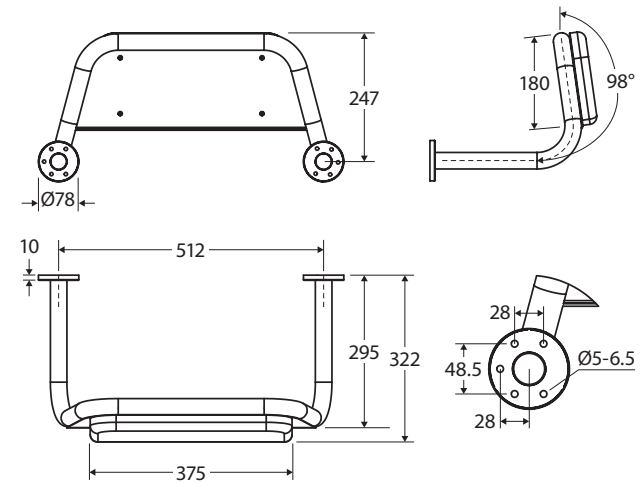


Toilet Back Rest

Features

- Meets AS1428.1 Access and Mobility requirements (when used in conjunction with single flap seat and raised buttons; not compliant for sole occupancy units)
- Designed to withstand a force of 1100N (110 kg) in any direction
- Super strong 5-point wall mounts
- Frame made from 304 stainless steel
- Concealed fittings
- Wall mounting screws included

Please Note: Suitable support must be included behind the wall for fixing bolts.



Available in



Satin Stainless Steel
200990



Electroplated
Matte Black
200990B



Cleaning & Care

- Regularly clean with mild soapy water using a microfibre cloth.
- In highly polluted or coastal locations, we recommend cleaning 2-3 times per week.
- Do not use harsh detergents, bleach, cream cleaners or citrus based cleaners. These substances are abrasive and will damage the surface.
- Do not use undue pressure and wipe in one direction only

While we aim to ensure specifications are correct at the time of publication, Fienza reserves the right to make modifications without prior notice. Physical colour may vary from image shown. All measurements are shown in millimetres. Always use physical product measurements for mark-ups and roughing-in as the technical drawing may differ from actual product received.