

RainSelect

Thermostat for concealed installation for 2 functions

Finish: **Matt White** Article Number: **15380700**

Description

product features

- 2 functions
- thermostat cartridge, Start/stop valve to operate the functions
- depending on volume flow and installation situation approx. 50% flow rate reduction and integrated shut off function
- Select push-button on/off control for 2 outlets
- simultaneous use of several outlets
- maximum flow rate at 3 bar: 38 l/min
- flow rate per outlet: 26 l/min
- flow rate by simultaneous use of all outlets: 38 l/min
- min. operating pressure: 1 bar
- max. operating pressure: 10 bar
- safety stop at 40 °C
- temperature limitation adjustable
- non-return valve
- Thermostat is delivered with buttons handshower and PowderRain
- connection type: basic set

Technology



Design awards



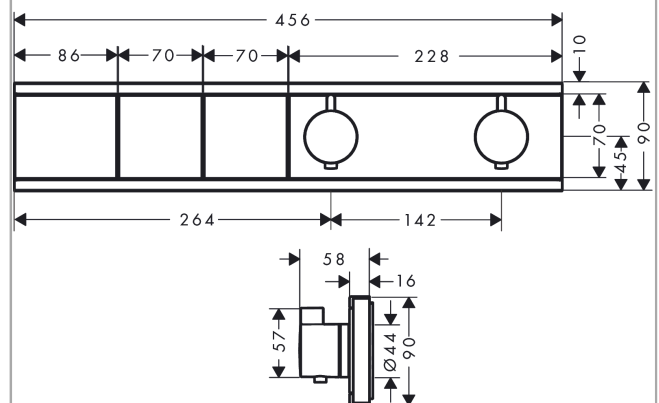
Certificates / Sustainability



Product image



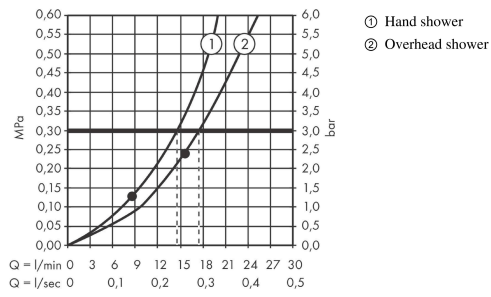
Scale drawing



RainSelect
Thermostat for concealed installation for 2 functions
 Finish: **Matt White** Article Number: **15380700**



Flowchart



RainSelect
Thermostat for concealed installation for 2 functions
 Finish: **Matt White** Article Number: **15380700**



Installation examples

RainSelect
 1531018X / 15380XXX

