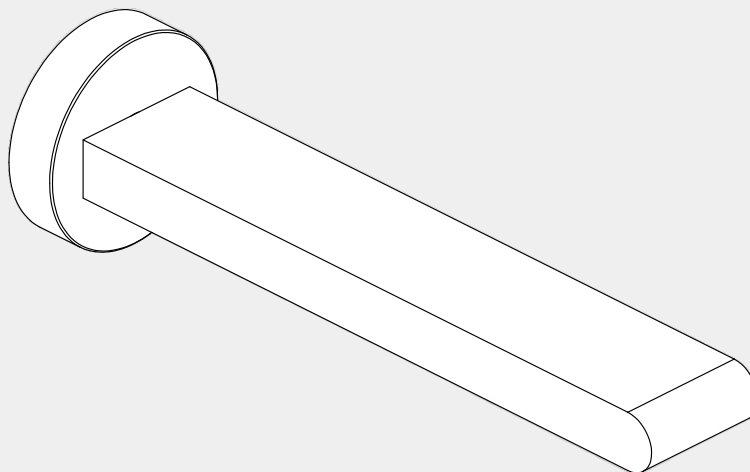


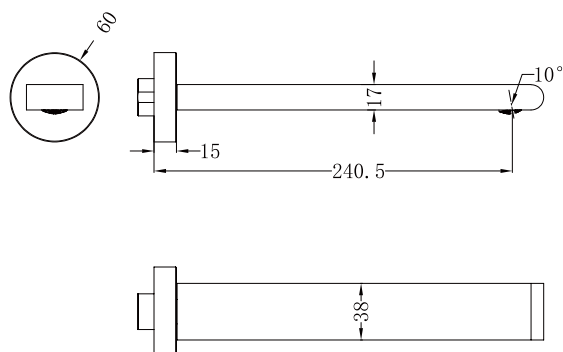
Bianca Fixed Basin/Bath Spout Only 240mm

Nero



Versions:202401

Drawing



Specifications

Watermark License

WM-060073

Temperature Rating

Min 1°C - Max 75°C






Pressure Rating

Min 150kpa - Max 500kpa

Packaging Includes

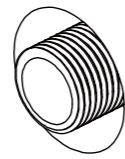
1x Spout
1x Plate

Finish & SKU

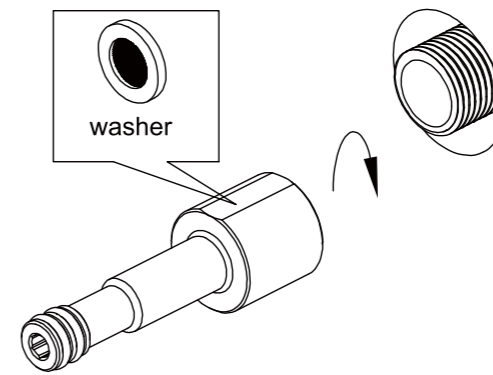
- | | | |
|--|---|---|
|  Chrome
NR321503bCH |  Gun Metal
NR321503bGM |  Brushed Nickel
NR321503bBN |
|  Matte Black
NR321503bMB |  Brushed Gold
NR321503bBG | |

*Dimensions are nominal measurements only.

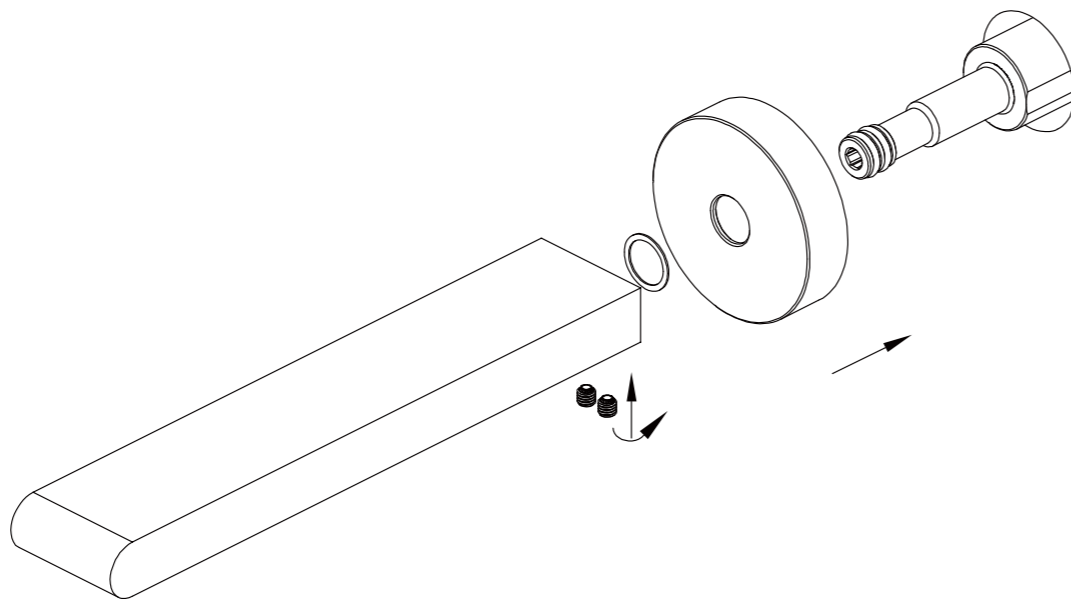
Installation Instruction



STEP1:
Cut off the G1/2 outlet thread, ensure the outlet thread needs 0-7mm protrude out of the finished wall.



STEP 2
Turn the G1/2 spout adapter onto the outlet thread, and ensure to place the rubber washer inside, as shown in the figure.



STEP3:

- o Fit the back plate onto the spout adapter.
- o Place the ABS washer against the backplate.
- o Push in the spout onto spout adapter, tighten two grub screws firmly on the underside of the spout with the Allen key. (Don't over tighten)

NOTE: Please level the spout to avoid residual water.

Nero

info@nerotapware.com.au
nerotapware.com.au

11-13 Buontempo Road
Carrum Downs Vic 3201

