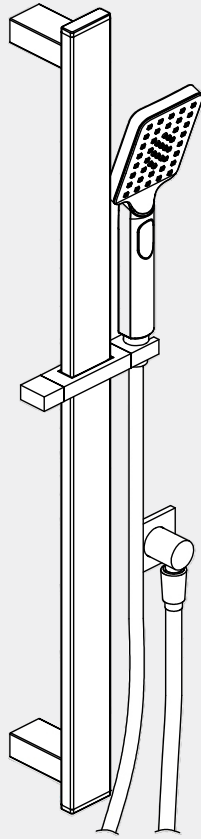


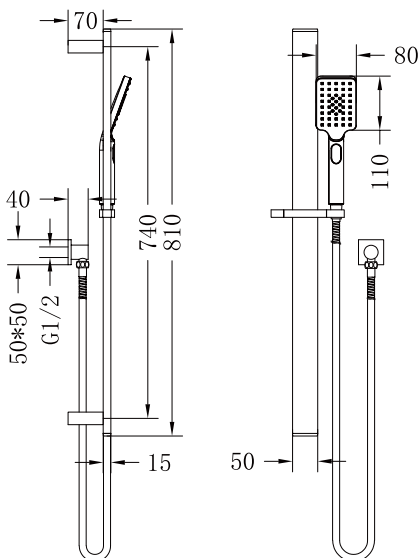
Celia New Shower Rail

Nero



Versions:202401

Drawing



Specifications

Watermark License

WM-060093

Temperature Rating

Min 1°C - Max 75°C

Pressure Rating

Min 150kpa - Max 500kpa

Packaging Includes

- 1x Handle Shower (built-in Check Valve)
- 1x Shower Hose
- 1x Elbow
- 1x Shower Rail

Finish & SKU

Chrome
NR316CH

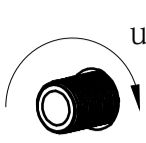
Gun Metal
NR316GM

Brushed Nickel
NR316BN

Matte Black
NR316MB

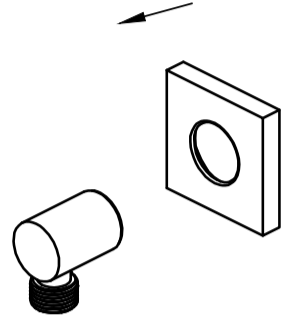
Brushed Gold
NR316BG

*Dimensions are nominal measurements only.

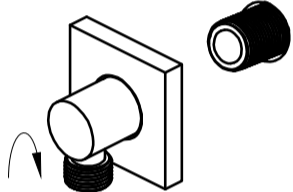


use Teflon tape

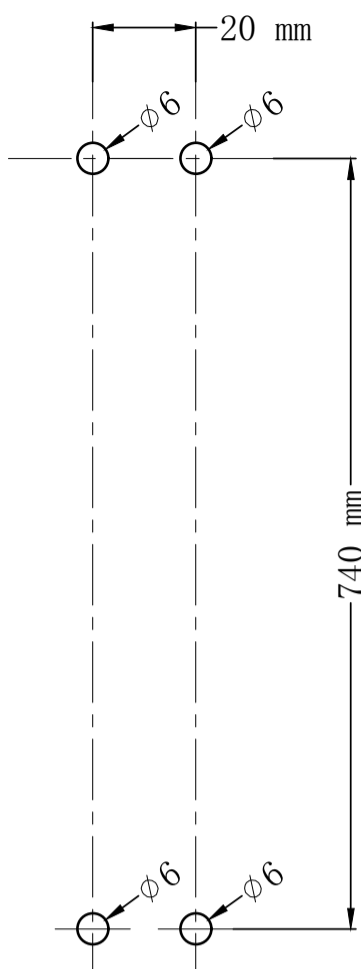
1. Put Teflon tape on outlet thread.



2. Pull dressing ring on the elbow body.



3. Screw elbow body on to outlet.




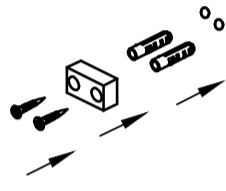
20 mm

740 mm

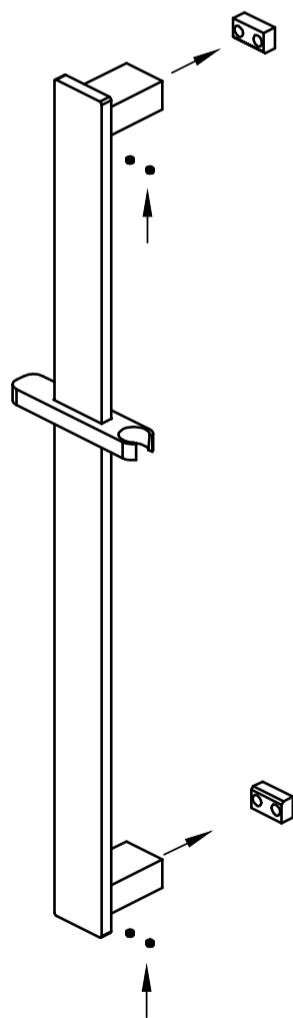
$\phi 6$

$\phi 6$

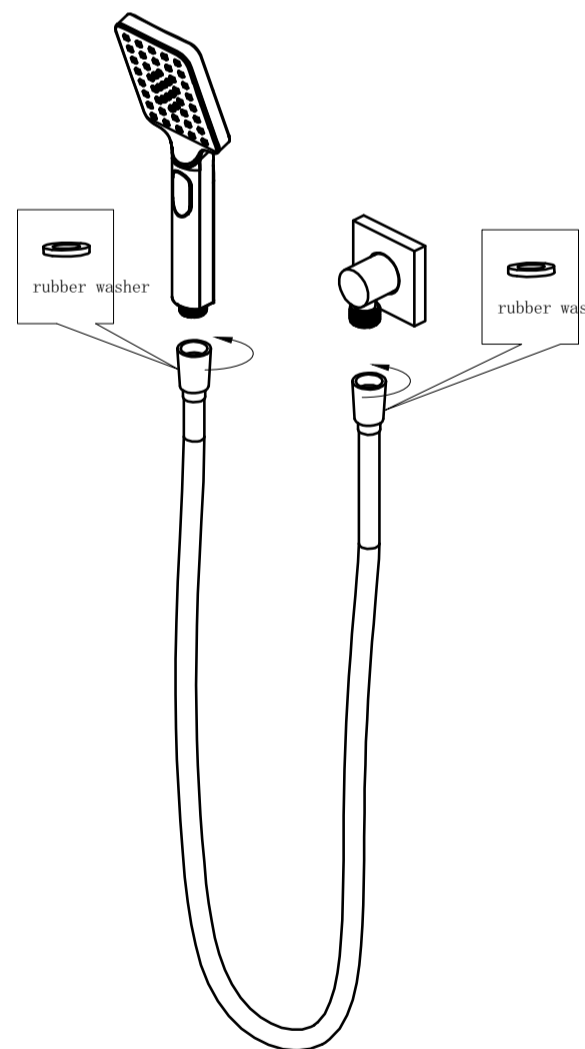
4. Drill four holes according to above picture.

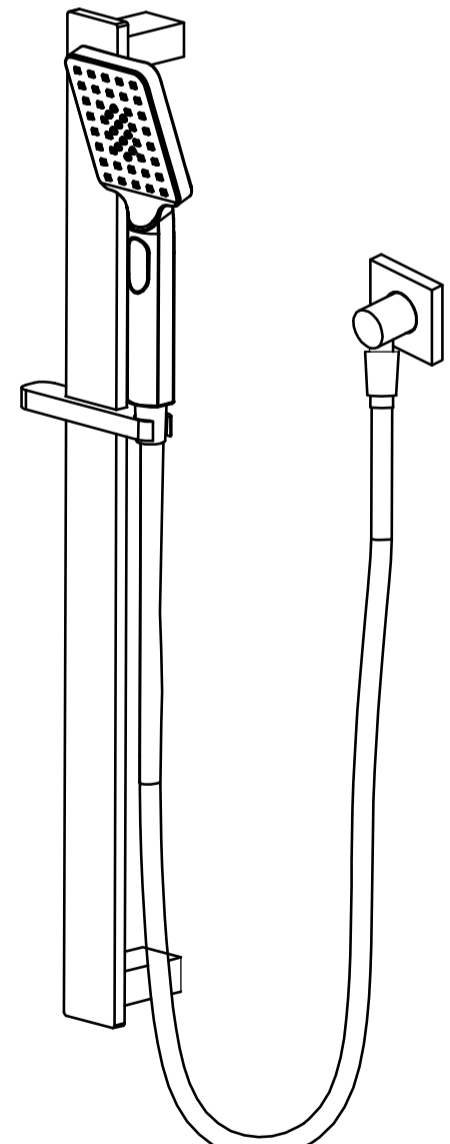
5. Make expansion plug into four holes and make brackets into holes by tapping screw.



6. Install shower rail onto brackets, tighten four grub screws by hex wrench.



7. Connect hand shower and elbow by shower hose.
(Notes: there are two rubber washers in shower hose.)



8. Test and check for leaks.

Nero

info@nerotapware.com.au
nerotapware.com.au

11-13 Buontempo Road
Carrum Downs Vic 3201

