



Model RBA2734-002

Materials & Features

Combo kit includes RBA2731-502 Bottle Filler and RBA2732-033-UG Water Cooler. Manufactured from #304 stainless steel with exposed surfaces in satin finish. Water-efficient stainless steel bubbler with self-closing button. Sensor activated bottle filler includes easy to read digital bottle counter display to highlight water savings. Push-button bottle filler and anti-microbial flexi-bubbler options available upon request.

Technical Detail

Inlet Connection:	1/2" BSP
Outlet Connection:	40mm BSP waste
Water Pressure:	200-500kPa
Basin & Housing:	1.6mm, type 304 stainless steel
Refrigerant:	R-134a
Power Requirement:	220VAC, 50Hz, single phase.
Capacity:	30L/hr drinking water at 10°C (incoming 27°C, ambient 32°C)

Available Models

RBA2734-002

H₂O to Go!™ Bottle Filler & Water Cooler Combo | Sensor Op w/ BCD and Stainless Bubbler

Related Products

RBA2734-001

H₂O to Go!™ Bottle Filler & Water Cooler Combo | Sensor Op w/ BCD and Flexi Bubbler

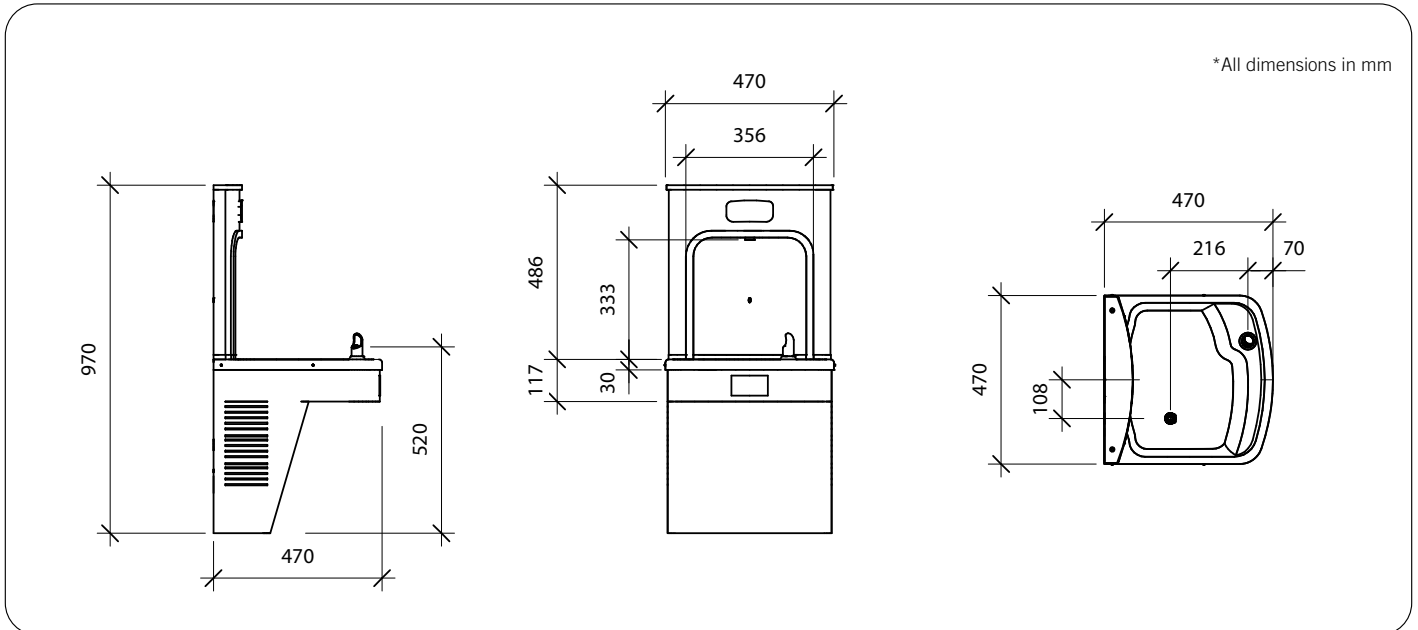
RBA2734-003

H₂O to Go!™ Bottle Filler & Water Cooler Combo | Sensor Op w/ Flexi Bubbler

RBA2734-005

H₂O to Go!™ Bottle Filler & Water Cooler Combo | Push Button w/ Flexi Bubbler

Important: Installation instructions and current rough-in details should be furnished with each fixture. Do not rough in without certified dimensions. Dimensions are subject to manufacturer's tolerance of +/-10mm.



As improvements in the design and performance of RBA products are continuous, specifications may be subject to change without notice. The illustrations and descriptions herein are applicable to production as of the date of this Technical Data Sheet. Revised 08/24 © 2024 by RBA Group TD/Model RBA2734-002/0824