

Model RBA4805-601

Materials & Features

PVD Brushed Brass stainless steel & white polyurethane backrest meets the requirements of AS1428.1 and can withstand an applied force of 1100N in any direction when installed correctly. Backrest is site adjustable upon installation to ensure accurate location. The bracket cover conceals the fixings. PVD coating is a premium coating process in which a solid material is vaporised and slowly layered onto a fixture. This results in a durable, versatile finish that's more environmentally friendly than traditional coating methods. Find out more at rba.com.au/pvd.



Technical Detail

Rail:	32mm [Dia], 304 stainless steel, PVD Brushed Brass finish
Backrest:	White polyurethane, 40mm thick
Fixings:	By others

Available Model

RBA4805-601

Single Bar Backrest w/ Polyurethane Pad | PVD Brushed Brass

Related Products

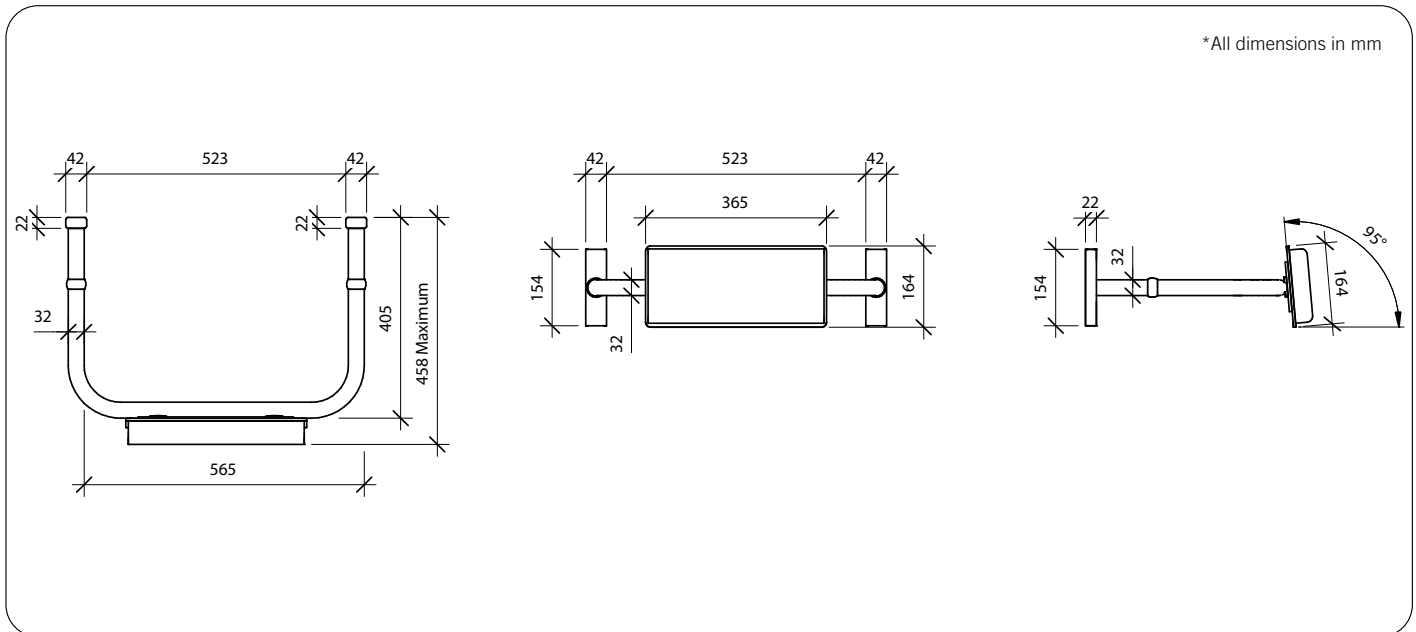
- RBA4806-601**
- RBA4805-345**
- RBA4805-346**
- RBA1631-522**

Single Bar Backrest w/ Polyurethane Pad | PVD Gunmetal
 LH Accessible Rail + 450mm Straight Kit | PVD Brushed Brass
 RH Accessible Rail + 450mm Straight Kit | PVD Brushed Brass
 öken Double Toilet Roll Holder | PVD Brushed Brass

Installation

Warning: Grab rails are no stronger than the anchors or walls to which they are attached and must be firmly secured in order to support the loads for which they are intended. Refer local codes and Installation Instructions for location of fixing points, method of attachment, etc.

Important: Installation instructions and current rough-in details should be furnished with each fixture. Do not rough in without certified dimensions. Dimensions are subject to manufacturer's tolerance of +/-10mm. Due to the semi-reflective nature of PVD, colours may appear differently depending on surface shape and lighting conditions. RBA recommends viewing fixtures under the same lighting conditions where they are to be installed.



As improvements in the design and performance of RBA products are continuous, specifications may be subject to change without notice. The illustrations and descriptions herein are applicable to production as of the date of this Technical Data Sheet. Revised 02/24 © 2024 by RBA Group TD/Model RBA4805-601/0224