

Please check actual product in box for bracket type used

SPHERE 600

PRODUCT CODE
 S60

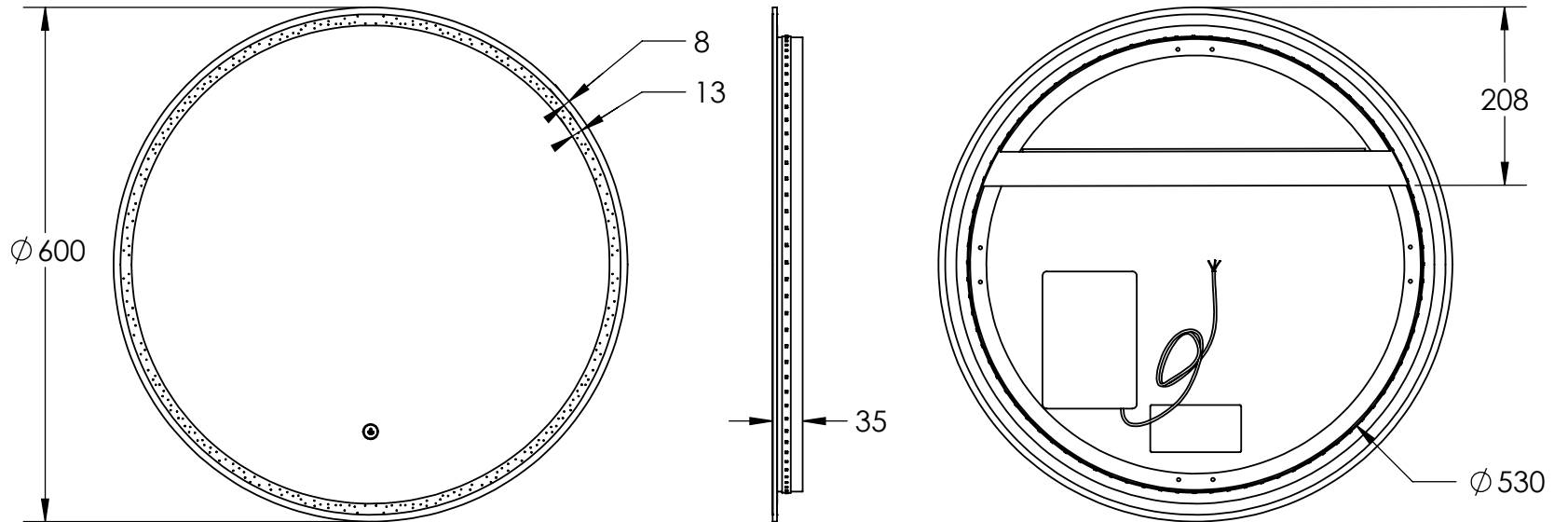
LED MIRROR

SPECIFICATIONS	
WIDTH	600mm
HEIGHT	600mm
DEPTH	35mm
WEIGHT	9kg

FEATURES	
Copper Free Mirror	
LED Lighting (Adjustable Colour Temperature)	
Backlit	
Touch Sensor	

LIGHTING SPECIFICATIONS	
CCT	2700K - 6500K
CRI	>80

INSTALLATION	
Wall mount	
Hardwire	
Input voltage: 220-240v 50Hz	



Disclaimer: All LED Products requiring hardwiring must be installed by a licensed electrician in accordance with local regulations. Sizes are in mm and nominal and should be checked prior to installation. Actual colours may vary so please check colour samples before ordering. Installation is acceptance of our products. Installation of faulty, warped, chipped or damaged products will void our warranty.

Please check actual product in box for bracket type used

SPHERE 600

LED MIRROR

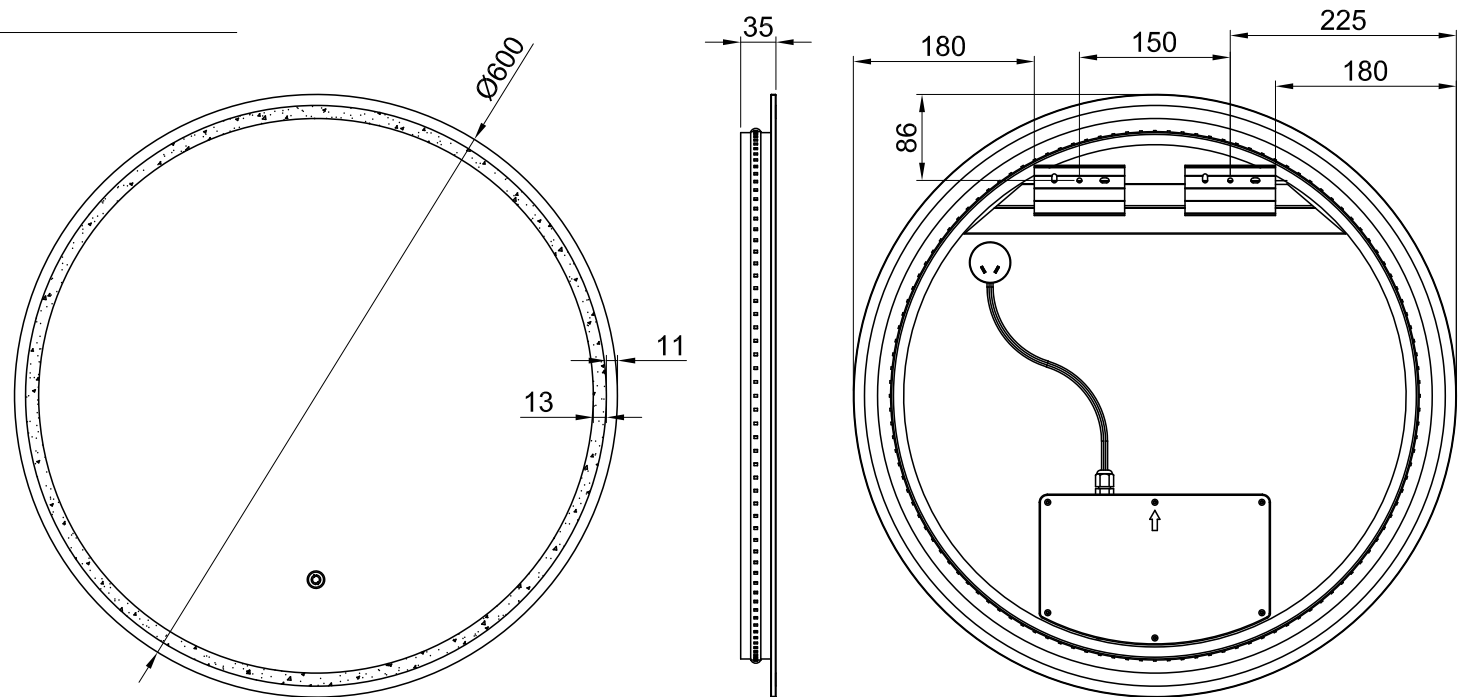
PRODUCT CODE
 S60

SPECIFICATIONS	
WIDTH	600mm
HEIGHT	600mm
DEPTH	35mm
WEIGHT	9kg

FEATURES	
Copper Free Mirror	
LED Lighting	
(Adjustable Colour Temperature)	
Touch Sensor	

LIGHTING SPECIFICATIONS	
CCT	2700K - 6500K
CRI	>80

INSTALLATION	
Wall Mount	
Hardwire	
Input Voltage: 220-240v 50Hz	



Disclaimer: All LED Products requiring hardwiring must be installed by a licensed electrician in accordance with local regulations. Sizes are in mm and nominal and should be checked prior to installation. Actual colours may vary so please check colour samples before ordering. Installation is acceptance of our products. Installation of faulty, warped, chipped or damaged products will void our warranty.

Please check actual product in box for bracket type used

SPHERE 600

LED MIRROR WITH ALUMINIUM FRAME

SPECIFICATIONS

WIDTH	610mm
HEIGHT	610mm
DEPTH	40mm
WEIGHT	10kg

LIGHTING SPECIFICATIONS

CCT	2700K - 6500K
CRI	>80

INSTALLATION

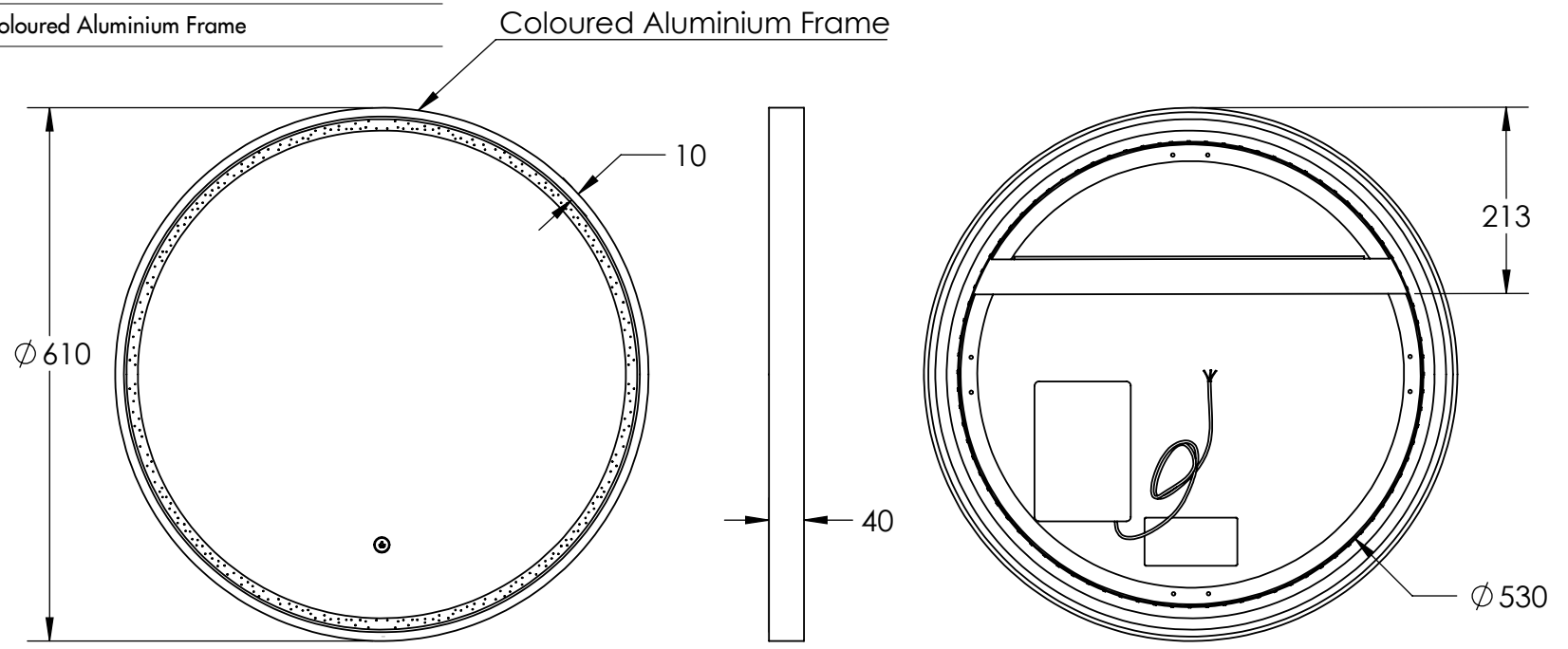
Wall mount
Hardwire
Input voltage: 220-240v 50Hz

FEATURES

- Copper Free Mirror
- LED Lighting (Adjustable Colour Temperature)
- Frontlit
- Touch Sensor
- Coloured Aluminium Frame

FINISH	PRODUCT CODE
Baltic Brass	S60-BB
Brits Nickel	S60-BN
Cuban Bronze	S60-CB
Georgian Metal	S60-GM

FINISH	PRODUCT CODE
Manhattan Black	S60-MB
Milano White	S60-MW
Nordic Gold	S60-NG



Disclaimer: All LED Products requiring hardwiring must be installed by a licensed electrician in accordance with local regulations. Sizes are in mm and nominal and should be checked prior to installation. Actual colours may vary so please check colour samples before ordering. Installation is acceptance of our products. Installation of faulty, warped, chipped or damaged products will void our warranty.

13-15 Edison Road, Dandenong South VIC 3175
 T (03) 9706 6663 E sales@remer.com.au W remer.com.au

Please check actual product in box for bracket type used

SPHERE 600

LED MIRROR

SPECIFICATIONS	
WIDTH	605mm
HEIGHT	605mm
DEPTH	40mm
WEIGHT	9kg

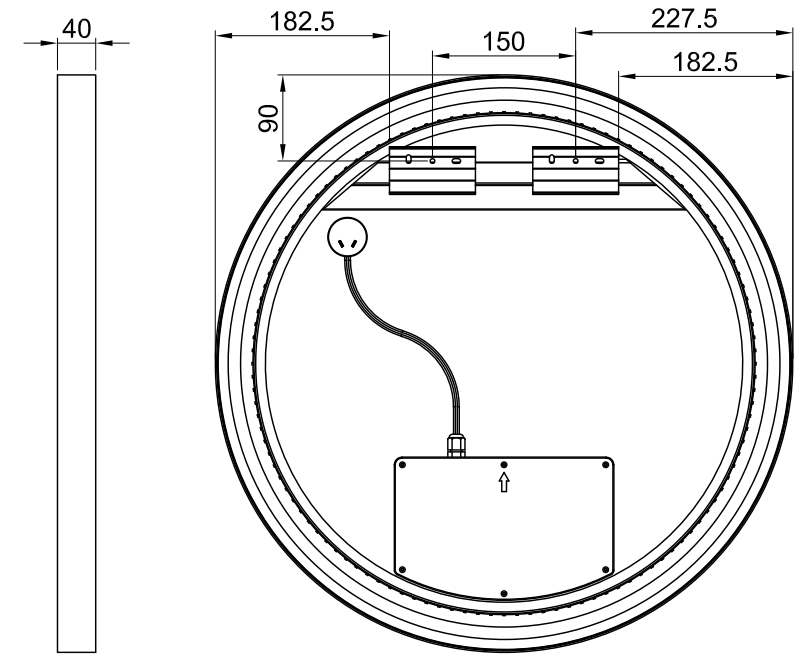
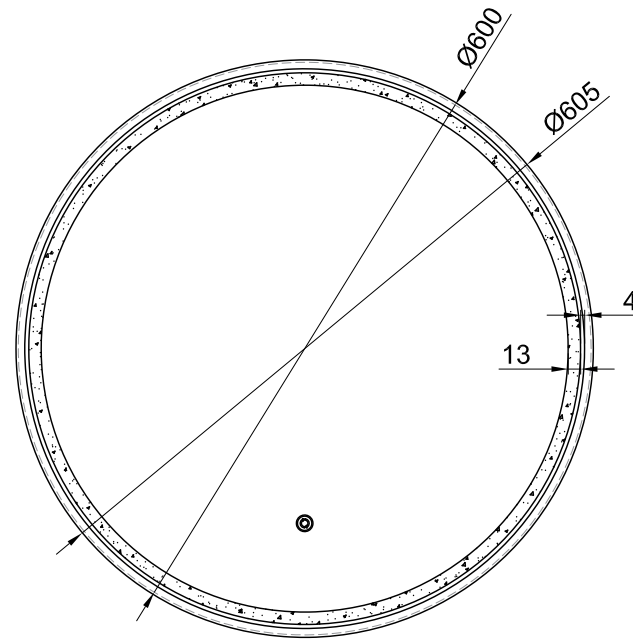
FEATURES	
Copper Free Mirror	
LED Lighting (Adjustable Colour Temperature)	
Touch Sensor	

LIGHTING SPECIFICATIONS	
CCT	2700K - 6500K
CRI	>80

INSTALLATION	
Wall Mount	
Hardwire	
Input Voltage: 220-240v 50Hz	

FINISH	PRODUCT CODE
Baltic Brass	S60-BB
Brits Nickel	S60-BN
Cuban Bronze	S60-CB
Georgian Metal	S60-GM

FINISH	PRODUCT CODE
Manhattan Black	S60-MB
Milano White	S60-MW
Nordic Gold	S60-NG



Disclaimer: All LED Products requiring hardwiring must be installed by a licensed electrician in accordance with local regulations. Sizes are in mm and nominal and should be checked prior to installation. Actual colours may vary so please check colour samples before ordering. Installation is acceptance of our products. Installation of faulty, warped, chipped or damaged products will void our warranty.