



D100

SIGNUS SINGLE BOWL & DRAINER

CRISTADUR®



D100SL product shown

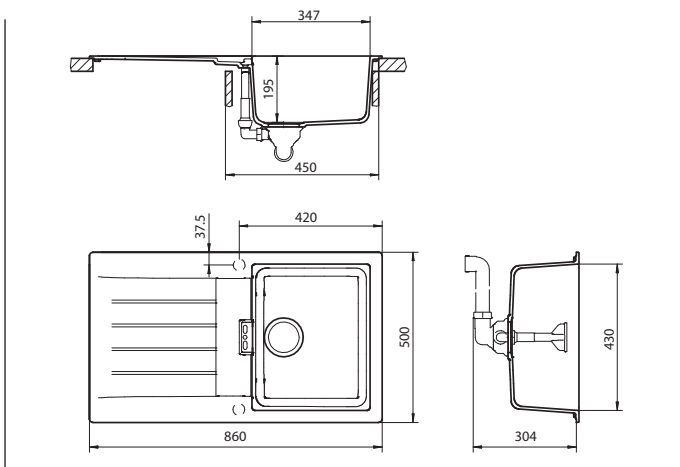
INCLUDED ACCESSORIES



OPTIONAL ACCESSORIES



DIMENSIONS



SPECIFICATIONS

Description	Single Bowl & Drainer Topmount
Overall Sink Size	L860mm x W500mm x D195mm
Bowl Dimensions	L347mm x W430mm x D195mm
Bowl Radius	10mm
Water Capacity	23 Litres
Technic	Granite Sink
Material	Granite - Cristadur

INSTALLATION

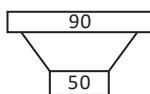
Fixings	Topmount clips supplied
Template	N/A
Min Cabinet Size	450mm
Tap Holes	1TH

SURFACE FINISH



SILKY TEXTURE

WASTE KIT



MATERIAL



CRISTADUR®

PLUMBING

Waste Fittings	1 x (90mm x 2") basket waste included
Overflow	Included

INSTALLATION OPTIONS



TOPMOUNT



RIGHT OR LEFT

R Indicates right bowl positioning.
L Indicates left bowl positioning.

PACKAGING

Gross Weight	12.5kg
Carton Size	730mm x 570mm x 300mm
Pack QTY	1

AVAILABLE IN



D100WL / D100WR
(POLARIS)



D100BL / D100BR
(MAGMA)



D100SL / D100SR
(STONE)



D100PL / D100PR
(PURO)