



TSH-900, TSH-900B // 90cm // ON-BOARD MOTORED WALLMOUNT RANGEHOOD



Designed to make a visual statement in modern kitchens, the T-shaped TSH-900 and TSH-900B wallmount exudes sophistication with its square-edged European design and boasts powerful extraction performance with its 1080 m³/hr onboard motor.

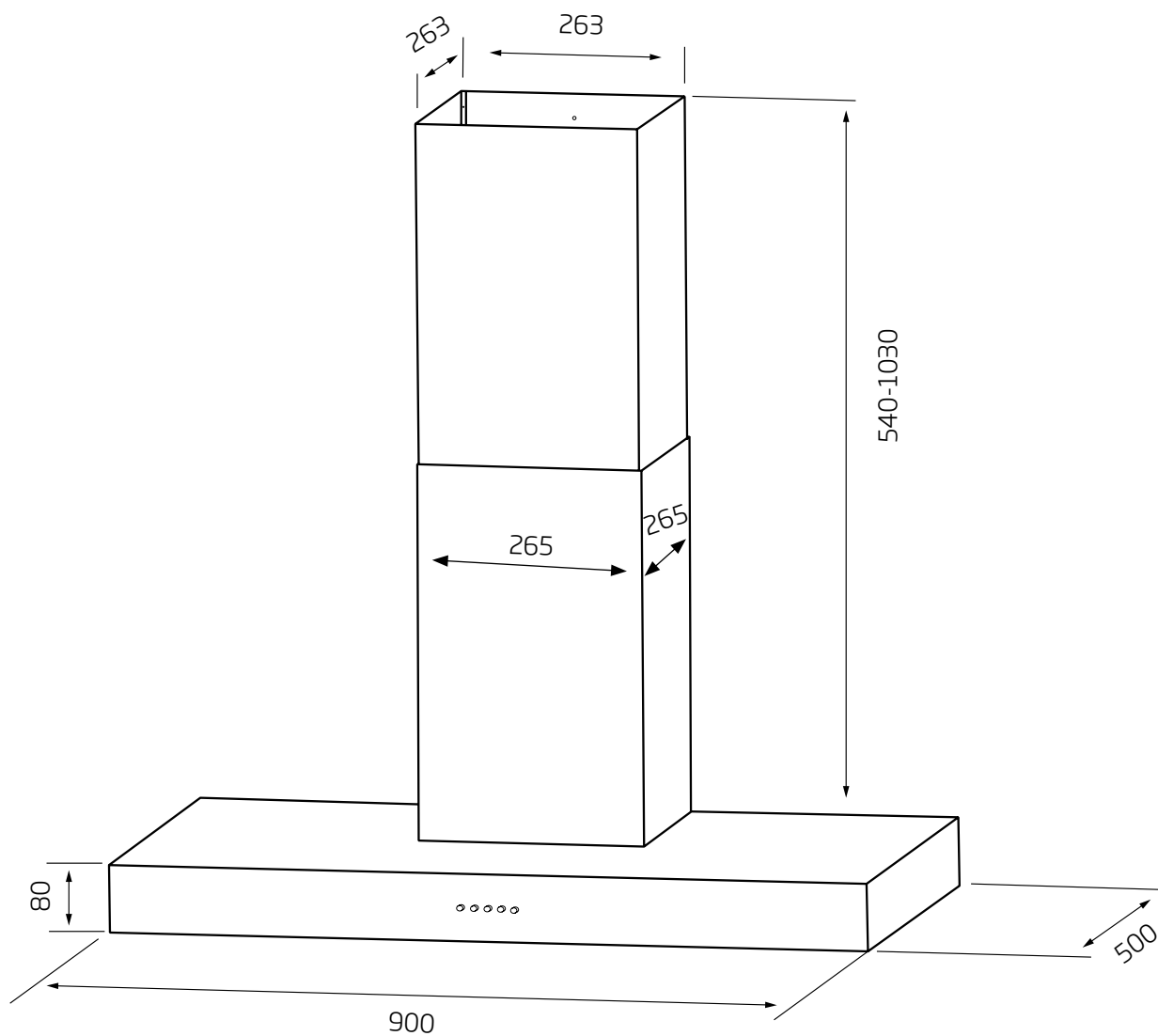
Finished in stunning matte black or stainless steel, this handsome unit comes with energy-efficient LED lighting, 3 speed levels and high-quality mesh filters that are easy to remove and dishwasher safe.

PRODUCT DESCRIPTION TSH-900, TSH-900B

- Powdercoated matte black and stainless steel available
- 3 x speed levels
- 2 x LED lights
- dishwasher safe metal filters
- 3 Year Warranty on rangehood
- Airflow rate: 1080m³/h
- dimensions: (W x D) 900mmx 500mm
- 3 x filters



TSH-900, TSH-900B // 90cm // ON-BOARD MOTORED WALLMOUNT RANGEHOOD



Model: TSH-900, TSH-900B

Feeding Voltage: 220-240V 50Hz

Max Lamp Power: 2 x 3W