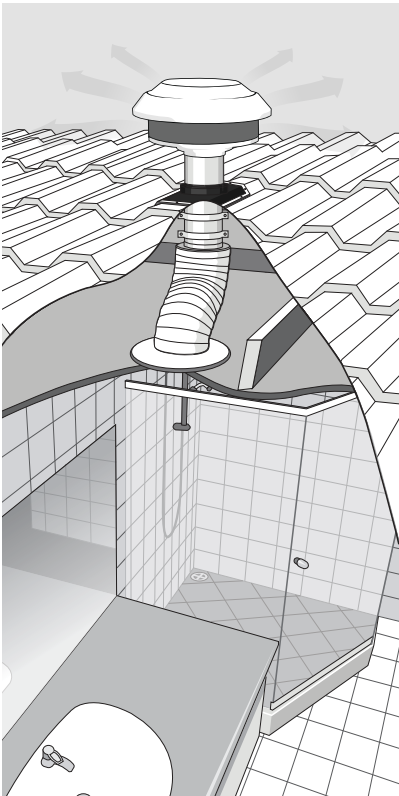




BR550, BR552 // SILENT Multi-Purpose Exhaust Fan

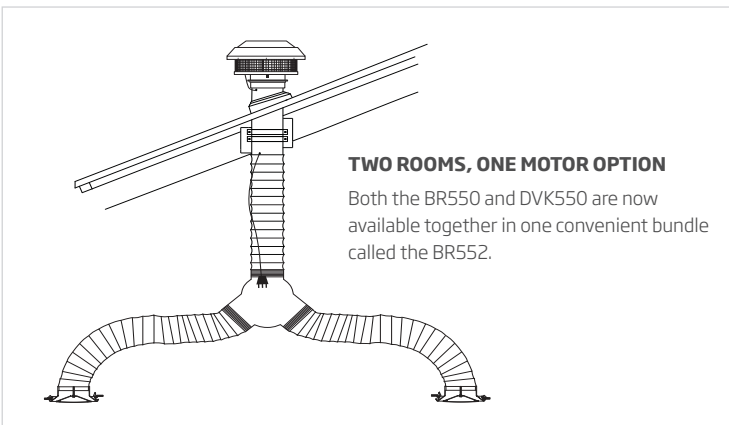


-  Bathroom
-  Laundry
-  Toilet
-  Garage
-  Pantry
-  Cellar



Ideal for every household, this unit can be installed and vented into two rooms - by utilising the optional DVK500 kit. With silent operation, your bathroom and laundry will stay fresh and odour-free.

The revolution starts with the silent Ecodrive motor and fan which is recognised as the quietest, most efficient and highest-powered domestic extraction unit available today. However, even the quietest motors and fans on the market still generate noise. Using Schweigen's renowned concept of placing the motors externally on your roof or eaves, you can easily achieve silent operation of all household extraction units.



PRODUCT DESCRIPTION

- Universal mounting options - Roof or Wall
- Patented anti-water intrusion, weather protection system (IPX4 rated)
- Acoustic dome with super quiet, long vane, backward curved centrifugal fan
- Motor can be mounted up to 4 metres from the vent
- 5 Year Warranty on the motor
- Can be installed and vented to 2 adjacent rooms with the optional DVK500 kit.

TECHNICAL DATA

BR550

- Motor includes:
 - Fan Module
 - Exhaust Vent
 - Weather shield
 - Fire resistant 200mm metal pipe
 - Flexible Ducting (4m)
 - Back Draught Shutter System
 - Instruction Manual

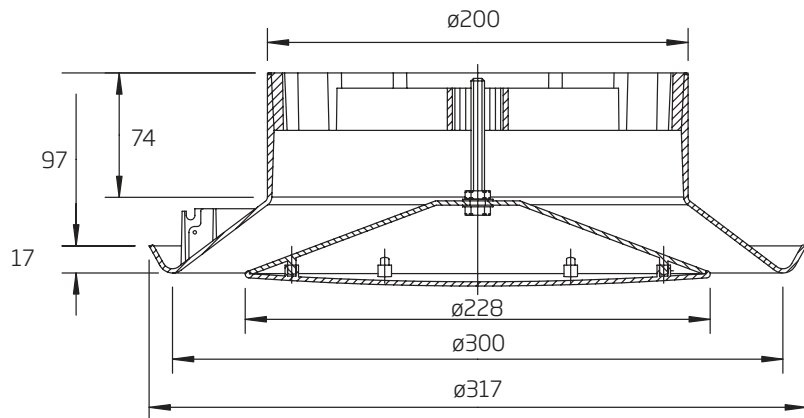
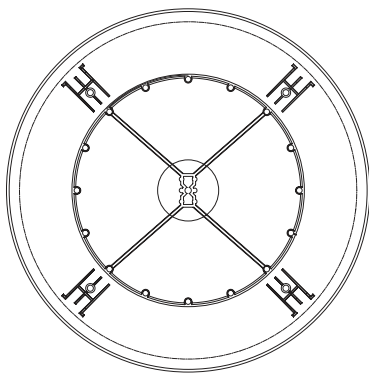
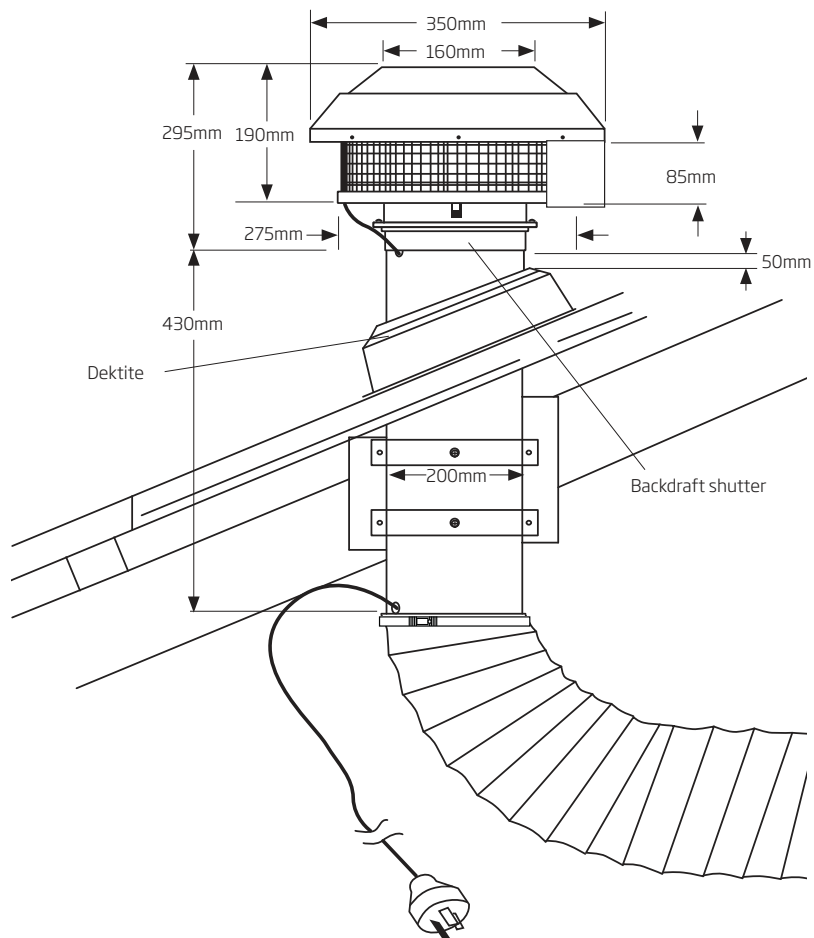
ECODRIVE® OPTIONS

- **ET** single external motor
 - 850 m³/h airflow
 - 200mm flexi ducting (4m)
 - install roof/wall

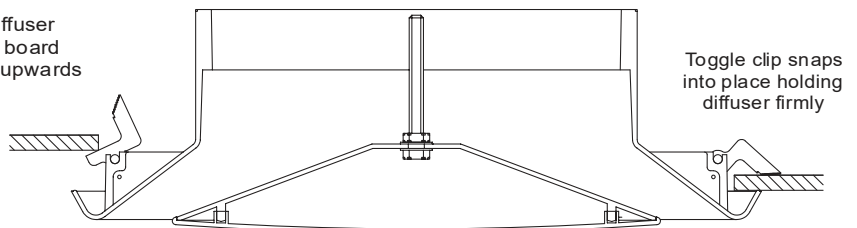




BR550, BR552 // SILENT Multi-Purpose Exhaust Fan



Hold diffuser
against board
and push upwards



The cone in the middle can be adjusted
to increase or reduce airflow by winding
anti-clockwise or clockwise