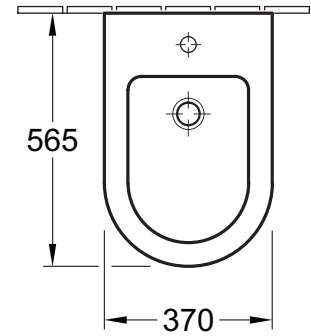
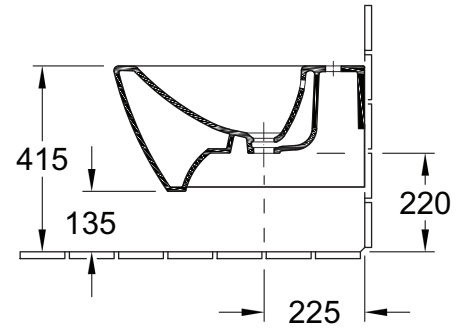
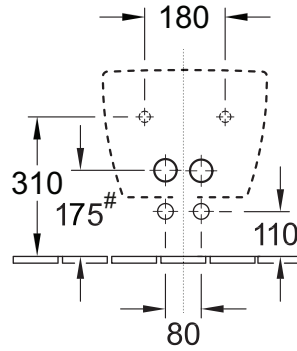




SUBWAY 2.0 WALL HUNG BIDET

Product Image	Technical Specification
---------------	-------------------------



Installation Notes:

*Hot/Cold Water Entry Points need to be 40mm left & right of center & 110mm from finished floor
 #Waste Outlet point needs to be 40mm left OR right of centre & 175mm from finished floor

Description	
Subway 2.0 Wall Hung Bidet	
54000001	1 Taphole
540000R1	1 Taphole / CeramicPlus

Additional Information
<ul style="list-style-type: none"> 5 Year Warranty *Conditions Apply Optional Mounting Support Frame - Code 9954

