

**35-bottle Single-Zone wine cabinet which can be set for cellaring all wines OR serving red or white wines at drinking temperatures. \*Capacity is based on 750mL Bordeaux bottle shape and size.**



## Product Details

### FEATURES

---

**Store up to 35 Bordeaux Style Bottles**  
Maximum loading capacity is 35 bottles of Bordeaux shape and size (750ml).

**Adjustable/Repositionable Shelves**  
Reverse the top shelf to store wines in the upright position. This top shelf is located just under the display shelf and it has a flat side to accommodate standing bottles.

**Triple-Glazed Door with Anti-UV Glass**  
The triple-glazed door with anti-UV glass ensures protection from UV rays and prevents your wine spoiling due to light damage. It creates the optimal environment for your wine's maturation.

**LED Digital Display Panel**  
Intuitive and minimal touch control panel. Elegant and easy-to-use, by design.

---

**Humidity Recycling System**  
High humidity levels are maintained in the wine cabinet when set at cellaring temperature (12-14C), preventing corks from drying out.

**Reversible Door**  
Reverse the door to optimize access to your wine cabinet.

---

### BENEFITS

---

**Single-Zone For Cellaring or Serving**  
Since all wines red, white and sparkling cellar at the same temperature (12 degrees celsius), the Single- Zone wine cabinets are ideal for storing and cellaring for the short or long-term. The Single-Zone can also be used for storing wines at drinking temperatures : 6-8 degrees celsius for sparkling, 8-13 degrees celsius for whites, 15-18 degrees celsius for reds.

**Access to OENO Virtual Cellar Management App**  
OENO By Vintec is your virtual cellar management tool and personal sommelier, powered by Vivino. It allows wine lovers to keep track of their collection effortlessly, access expert recommendations created by a team of sommeliers, and restock wines. Our partnership with Vivino enables OENO users to use AI label recognition with access to a database of more than 13 million wines, and receive exclusive wine offers to build up your collection and restock your Vintec.

---

#### Peace of Mind with The Vintec 5 Pillars Of Wine Storage

All Vintec Wine Cabinets recreate the ideal wine storage conditions found only in the best natural underground wine cellars by strictly adhering to the "Vintec 5 Pillars of Wine Storage": Stable Temperature, High Humidity, UV-Free / Dark Storage Area, No Vibration, Quality Airflow. \*Note: high humidity levels are maintained in the cabinet when set at cellaring temperature (12-14 degrees celsius).

#### Bronze Status at The Vintec Club

The Vintec Club is a private club for owners of Vintec wine cellars, fully focused on content and experiences around wine. Owning a Vintec cellar is the key to accessing exclusive wine industry benefits and services, and receiving invitations to unique wine dinners and tastings in different locations around the world in the company of celebrated winemakers and sommeliers. This Vintec cellar will entitle you to become Bronze status member of the club. Find out more at [vintecclub.com](http://vintecclub.com).

---

#### Natural Beechwood Wooden Shelves

Designed for wine, the Vintec natural and unvarnished Beechwood shelves support neck-to-neck horizontal placement of bottles (bottles lying down) and minimize any vibrations to protect your wines.

#### Borderless Black Glass Finish

Borderless Black Glass covers the full surface of the door, with no protruding handles, offering a seamless feel and an elegant finish, and stunning way to showcase your wine collection.

---

#### Top Crystal White LED Lighting

Our energy-efficient, UV-free LED lighting provides great visibility of your wines while keeping them safe from damaging UV-light.

#### Vintec Repositionable Shelving

Store your collection with our repositionable, Beechwood shelving. The Vintec Repositionable Shelving is designed to accommodate bottles neck-to-neck and lying down, for short or long-term storage, and to be easily removed and repositioned so you can accommodate larger bottles and/or stack bottles to maximize capacity.

---

#### Sleek Touch-Sensitive Control Panel

Configure your single zone wine cabinet temperature and lighting with ease with the intuitive and minimal touch control panel.

---

## Specifications

### WINE CELLARS

|                                 |                                   |
|---------------------------------|-----------------------------------|
| Domestic warranty details (yrs) | 2 years                           |
| Installation Type               | Freestanding                      |
| Finish                          | Borderless Black Glass            |
| Door Type                       | Glass Door                        |
| Door Construction               | Triple Glazed, UV treated         |
| Handle                          | Recessed                          |
| Fridge door opening             | Reversible                        |
| Refrigerant                     | R600a                             |
| Easy Capacity (Bottles)         | 28                                |
| Max Capacity (Bottles)          | 35                                |
| Main Function                   | Cellar red & white wine           |
| Alternate Function              | Cellar or serve red or white wine |
| No of Zones                     | 1                                 |

### DIMENSIONS

|             |     |
|-------------|-----|
| Height (mm) | 830 |
| Width (mm)  | 493 |
| Depth (mm)  | 588 |

## WINE CELLARS

|                                   |                     |
|-----------------------------------|---------------------|
| Temperature Range Zone 1 (deg)    | 6-18 Degrees C      |
| Air space at sides (mm)           | 200                 |
| Air space above cabinet (mm)      | 200                 |
| Rear Spacer (mm)                  | 30                  |
| Weight Unloaded                   | 39                  |
| Power Supply                      | 240V / 10AMP        |
| Electricity Consumption (kWh/Day) | 1                   |
| Display Panel                     | LED Digital Display |
| Castors and Feet                  | 4 Adjustable Feet   |
| Lock                              | No                  |
| Alarm                             | None                |
| Lighting                          | White LED           |
| Number of Shelves                 | 4                   |
| Shelving Material                 | Wood                |
| Shelving Type                     | 3 Full, 1 Half      |

## WINE CELLARS

---

|                      |      |
|----------------------|------|
| Shipping Volume (m3) | 0.33 |
|----------------------|------|

---

|                      |    |
|----------------------|----|
| Shipping Weight (Kg) | 44 |
|----------------------|----|

---

|                             |     |
|-----------------------------|-----|
| Pack Dimensions Height (mm) | 880 |
|-----------------------------|-----|

---

|                           |     |
|---------------------------|-----|
| Pack Dimension Width (mm) | 550 |
|---------------------------|-----|

---

|                           |     |
|---------------------------|-----|
| Pack Dimension Depth (mm) | 690 |
|---------------------------|-----|

---

|       |    |
|-------|----|
| 20 Ft | 64 |
|-------|----|

---

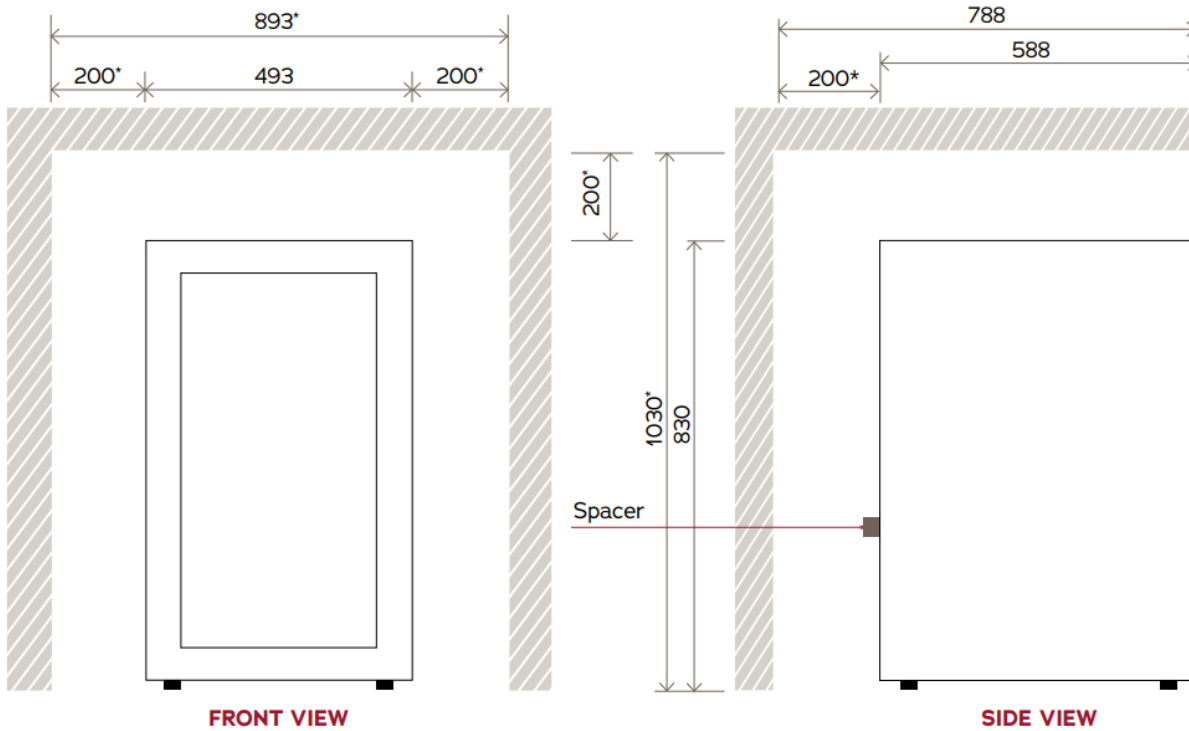
|       |     |
|-------|-----|
| 40 Ft | 136 |
|-------|-----|

---

|          |     |
|----------|-----|
| 40 Ft HC | 200 |
|----------|-----|

---

# Dimensions

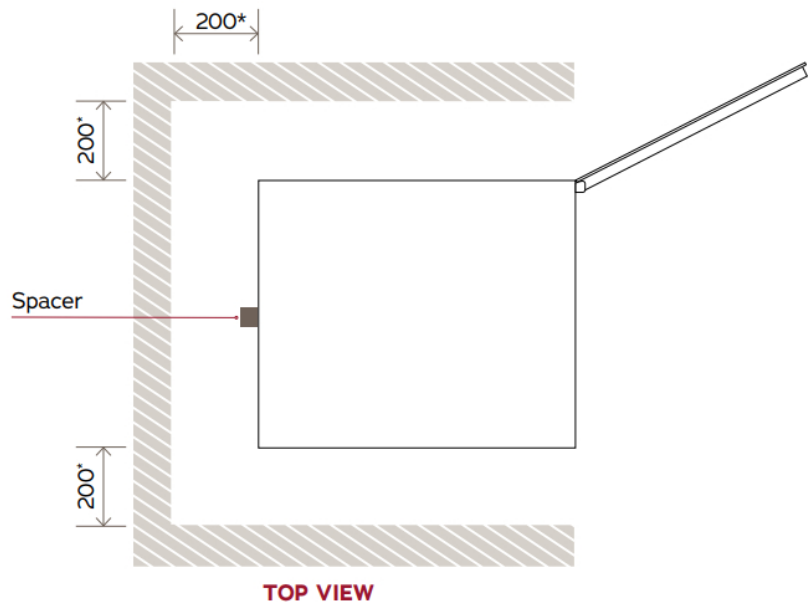


**NOTE: Illustrations not to scale.**  
**All dimensions in millimetres.**

\*Minimum 10mm required whether proud-fit or flush-fit, however 30mm is recommended on the opening edge for easy finger grip access when installed flush-fit.

For complete installation instructions, please refer to the user manual for this product.

|                    | Width | Depth | Height |
|--------------------|-------|-------|--------|
| Product dimensions | 493   | 588   | 830    |
| Installation       | 893   | 788   | 1030   |



## Terms and Conditions

### IMPORTANT

This is a guide of product dimensions only. For complete installation instructions, refer to the manual provided with product.

### PRODUCT INFORMATION

The descriptors and illustrations in this publication apply to the specific products and models described as at the date of issue. Under our policy of continuous product development, product specifications may change without notice. Prospective purchasers should therefore check with their retailer to ensure this publication correctly describes the products that are being offered for sale. All information supplied is to be used for general reference purposes only and is on the understanding that Electrolux Home Products Pty Ltd (Australia) and Electrolux (NZ) Ltd (New Zealand) will not be liable for any loss, liability or damage of whatever kind arising as a result of reliance on such information. Colours of products illustrated are as close as printing limitations allow. Electrolux will at all times comply with its obligations pursuant to law including Trade Practices (Australian Consumer Law) Act and Regulations.

### WARRANTY

This warranty only applies to Appliances purchased and used in Australia or New Zealand and used in normal domestic applications and is in addition to (and does not exclude, restrict, or modify in any way) any non-excludable statutory warranties in Australia or New Zealand. All warranties are subject to the conditions set out in the warranty card accompanying the product when purchased.

#### ELECTROLUX HOME PRODUCTS AUSTRALIA

telephone: 1300 363 640

fax: 1800 350 067

email: [customercare@electrolux.com.au](mailto:customercare@electrolux.com.au)

web: [www.electrolux.com.au](http://www.electrolux.com.au)

#### ELECTROLUX HOME PRODUCTS NEW ZEALAND

telephone: 09 573 2230

fax: 09 573 2221

email: [customercare@electrolux.co.nz](mailto:customercare@electrolux.co.nz)

web: [www.electrolux.co.nz](http://www.electrolux.co.nz)