

**60cm 3 zone ceramic cooktop with MaxiZone, dual variable zone, touch controls, Pause function and QuickCook Timer.**



## Product Details

### FEATURES

---

MaxiZone

Dual Zone

Touch on glass controls

Pause

QuickCook Timer

Residual Heat Indicator

Easy clean ceramic surface

Child safety lock

---

### BENEFITS

---

#### Larger pans are no problem

Larger pots or pans are catered for with MaxiZone. Our extra large cooking zone ensures that heat will be delivered consistently to large pans to help cook your special dishes to perfection with ease.

#### More versatility with variable zones

With Dual Zone functionality you are able to adjust your cooking surface to suit your pot or pan size with ease.

---

#### Easy touch-on glass control

Total control is at your fingertips with a simple touch on the easy-clean glass control panel.

#### Timed to perfection

Never over-cook or burn dinner again. Just set the cooking time and your cooktop will automatically turn the heat off for you.

---

#### Safety first

Kitchen safety comes before everything else, so our heat indicators show activated hotplates as well as hotplates that are still cooling down.

---

# Specifications

## PRODUCT PROFILE

Domestic warranty details (yrs)	2
Cooktop type	ceramic
Materials/Colour	black ceramic glass

## CONTROLS

Controls of Cooktops	touch
Position of controls	right front
Functions of Cooktops	timer,Keep warm function,pause
Indicators/display	fault indicator,residual heat warning lamps
Features of Cooktop	safety cut off,electronic timer,safety child lock,hot surface indicator,MaxiZone
Timer of Cooktop	programmable 99min,countdown

## DIMENSIONS

Total product height (mm)	46
Total product width (mm)	590
Total product depth (mm)	520
Cut out width (mm)	560
Cut out depth (mm)	490

## ELEMENTS/BURNERS

### LEFT FRONT ZONE

Left front zone	ceramic
Left front Watts	1200
Left front number of cooking zones	1
Left front diameter mm	140

## LEFT REAR ZONE

---

Left rear zone	ceramic
----------------	---------

---

Left rear watts	1800
-----------------	------

---

Left rear number of cooking zones	1
-----------------------------------	---

---

Left rear diameter mm	180
-----------------------	-----

---

## RIGHT FRONT ZONE

---

Right front zone	ceramic
------------------	---------

---

Right front Watts	3000
-------------------	------

---

Right front number of cooking zones	1
-------------------------------------	---

---

Right front diameter mm	240
-------------------------	-----

---

## ELECTRICAL SPECIFICATIONS

---

Connected load KW	6.5
-------------------	-----

---

Type of connection	hardwired
--------------------	-----------

---

## SHIPPING

---

Shipping Weight (Kg)	8.1
----------------------	-----

---

Pack Dimensions Height (mm)	110
-----------------------------	-----

---

Pack Dimension Width (mm)	690
---------------------------	-----

---

Pack Dimension Depth (mm)	600
---------------------------	-----

---

## STUFFING QUANTITIES

---

20ft	540
------	-----

---

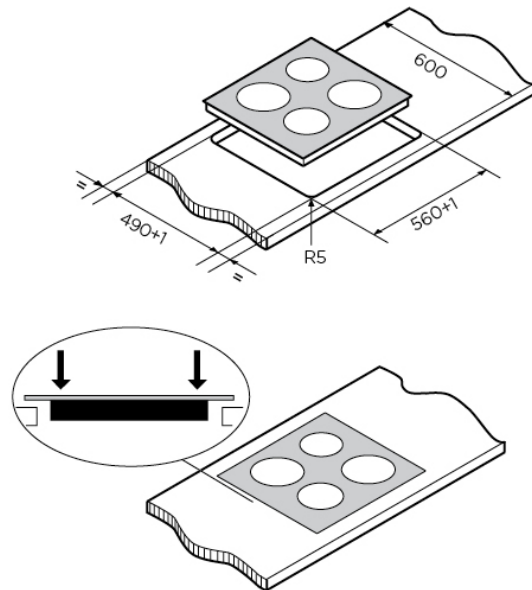
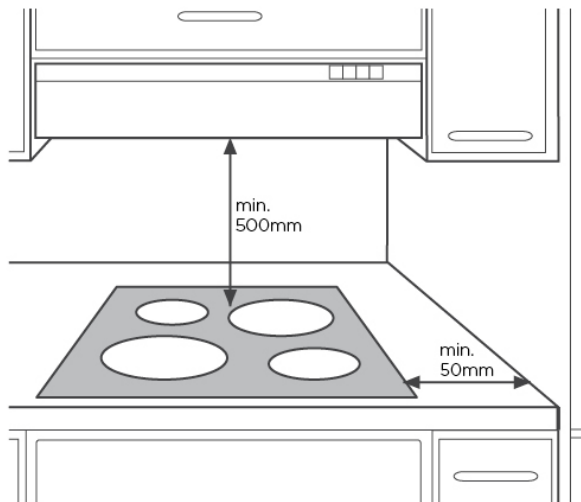
40ft HC	1254
---------	------

---

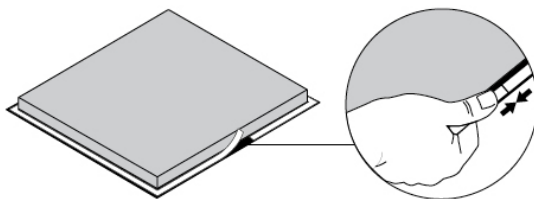
# Dimensions

## 60cm electric cooktops

WHC642BC, WHC642SC, WHC633BC, WHC643BC



*NOTE: The clearance must meet or exceed the minimum recommended for both the rangehood and cooktop. Refer to the rangehood installation manual.*



**⚠ WARNING**

Surface temperatures of base exceed 95°C, under bench access must be restricted by use of non-combustible barrier on installation

**IMPORTANT**

These dimensions are a guide only. All measurements are in millimetres (mm). For complete installation instructions, refer to the manual provided with product.

# Terms and Conditions

## IMPORTANT

This is a guide of product dimensions only. For complete installation instructions, refer to the manual provided with product.

## PRODUCT INFORMATION

The descriptors and illustrations in this publication apply to the specific products and models described as at the date of issue. Under our policy of continuous product development, product specifications may change without notice. Prospective purchasers should therefore check with their retailer to ensure this publication correctly describes the products that are being offered for sale. All information supplied is to be used for general reference purposes only and is on the understanding that Electrolux Home Products Pty Ltd (Australia) and Electrolux (NZ) Ltd (New Zealand) will not be liable for any loss, liability or damage of whatever kind arising as a result of reliance on such information. Colours of products illustrated are as close as printing limitations allow. Electrolux will at all times comply with its obligations pursuant to law including Trade Practices (Australian Consumer Law) Act and Regulations.

## WARRANTY

This warranty only applies to Appliances purchased and used in Australia or New Zealand and used in normal domestic applications and is in addition to (and does not exclude, restrict, or modify in any way) any non-excludable statutory warranties in Australia or New Zealand. All warranties are subject to the conditions set out in the warranty card accompanying the product when purchased.

### ELECTROLUX HOME PRODUCTS AUSTRALIA

telephone: 1300 363 640

fax: 1800 350 067

email: [customercare@electrolux.com.au](mailto:customercare@electrolux.com.au)

web: [www.electrolux.com.au](http://www.electrolux.com.au)

### ELECTROLUX HOME PRODUCTS NEW ZEALAND

telephone: 09 573 2230

fax: 09 573 2221

email: [customercare@electrolux.co.nz](mailto:customercare@electrolux.co.nz)

web: [www.electrolux.co.nz](http://www.electrolux.co.nz)