

**60cm slide out stainless steel trimmed rangehood with 2 fans, 3 speeds and front re-circulating with 2 charcoal filters included.**



## Product Details

### FEATURES

---

340m <sup>3</sup> /hr extraction rate	Front recirculation	Charcoal filter included	LED lighting
3 speed fan	Dishwasher safe mesh filters	Auto activated push-pull controls	Removable front fascia Front fascia panel of rangehood can be removed and exchanged with a trim to integrate into the kitchen colour scheme

---

### BENEFITS

---

**Clear the air quickly**  
Our rangehoods offer powerful extraction rates ensuring your kitchen is clear of cooking odours, vapours and excess heat in no time at all.

**Low energy, long lasting LED**  
With low energy use and a high illumination performance, long-lasting LED lights make it easy to keep an eye on your delicious cooking.

**Easy-clean filters**  
For ease and convenience, our easily removed aluminium micro-mesh filters can simply be washed safely in your dishwasher or hand washed. Keep your rangehood looking great and performing well with next to no effort.

**Blend into the kitchen**  
Slide out rangehoods are designed to blend into your kitchen cabinetry for a seamless look.

**Recirculation**  
The rangehood can recirculate into the kitchen if it is not possible to duct to the exterior. Carbon filters are recommended for recirculation.

---

## Specifications

### PRODUCT PROFILE

Domestic warranty details (yrs)	2
Type of Rangehood	slide out
Nominal width (cm)	600
Finish of Rangehood	stainless steel, grey

### DIMENSIONS

Total product height (mm)	175
Total product width (mm)	598
Total product depth (mm)	300

### MOTOR/FAN

Number of fans	2
Number of fans speeds	3
Type of motor	centrifugal
Perimeter extraction	No
Maximum airflow M3/Hr	340
Noise level dB high	66
Noise level dB low	57
Number of motors	2
Wattage of motor	125

### CONTROLS

Control panel	auto activated pull/push
Safety/ display indicators	automatic safety cut off

## DIMENSIONS

---

Diameter of ducting (mm)	120
--------------------------	-----

---

Minimum installation height from cooking surface Gas (mm)	650
---	-----

---

Minimum installation height from cooking surface Electric (mm)	600
--	-----

---

## FILTERS

---

Number of filters	2
-------------------	---

---

Type of filter	multilayer aluminum micromesh filters
----------------	---------------------------------------

---

Dishwasher safe	Yes
-----------------	-----

---

## DUCTING / RECIRCULATION

---

Ducting	optional accessory
---------	--------------------

---

Top or rear duct hole	top
-----------------------	-----

---

Recirculation option	Yes
----------------------	-----

---

Recirculation kit	Yes
-------------------	-----

---

Front recirculating option	Yes
----------------------------	-----

---

## LIGHTS

---

Number of lights	2
------------------	---

---

Wattage of light	5.5
------------------	-----

---

Type of light	LED
---------------	-----

---

## SHIPPING

---

Shipping Volume (m3)	0.058
----------------------	-------

---

Shipping Weight (Kg)	12.2
----------------------	------

---

Product Weight (Kg)	9.3
---------------------	-----

---

Pack Dimensions Height (mm)	244
-----------------------------	-----

---

## DUCTING / RECIRCULATION

---

Optional extension flue	No
Type of filter	Charcoal
Filter	Included

---

## STUFFING QUANTITIES

---

20ft	459
40ft	972
40ft HC	1080

---

## SHIPPING

---

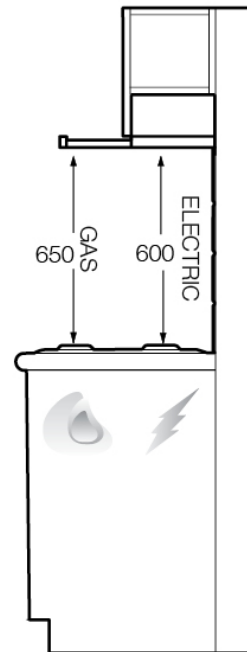
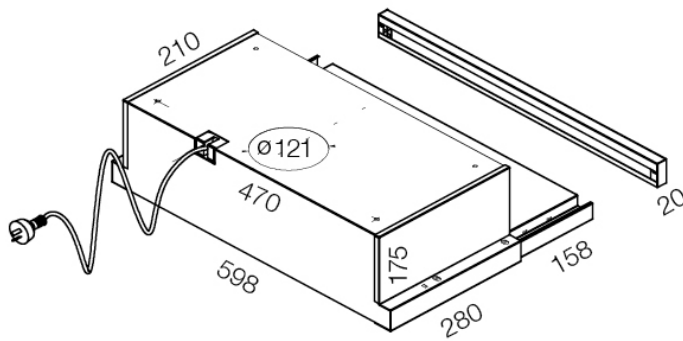
Pack Dimension Width (mm)	655
Pack Dimension Depth (mm)	361

---

## Dimensions

### Slide out rangehood

WRR614SB



#### IMPORTANT

These dimensions are a guide only. All measurements are in millimetres (mm).  
For complete installation instructions, refer to the manual provided with product.

# Terms and Conditions

## IMPORTANT

This is a guide of product dimensions only. For complete installation instructions, refer to the manual provided with product.

## PRODUCT INFORMATION

The descriptors and illustrations in this publication apply to the specific products and models described as at the date of issue. Under our policy of continuous product development, product specifications may change without notice. Prospective purchasers should therefore check with their retailer to ensure this publication correctly describes the products that are being offered for sale. All information supplied is to be used for general reference purposes only and is on the understanding that Electrolux Home Products Pty Ltd (Australia) and Electrolux (NZ) Ltd (New Zealand) will not be liable for any loss, liability or damage of whatever kind arising as a result of reliance on such information. Colours of products illustrated are as close as printing limitations allow. Electrolux will at all times comply with its obligations pursuant to law including Trade Practices (Australian Consumer Law) Act and Regulations.

## WARRANTY

This warranty only applies to Appliances purchased and used in Australia or New Zealand and used in normal domestic applications and is in addition to (and does not exclude, restrict, or modify in any way) any non-excludable statutory warranties in Australia or New Zealand. All warranties are subject to the conditions set out in the warranty card accompanying the product when purchased.

### ELECTROLUX HOME PRODUCTS AUSTRALIA

telephone: 1300 363 640

fax: 1800 350 067

email: [customercare@electrolux.com.au](mailto:customercare@electrolux.com.au)

web: [www.electrolux.com.au](http://www.electrolux.com.au)

### ELECTROLUX HOME PRODUCTS NEW ZEALAND

telephone: 09 573 2230

fax: 09 573 2221

email: [customercare@electrolux.co.nz](mailto:customercare@electrolux.co.nz)

web: [www.electrolux.co.nz](http://www.electrolux.co.nz)